

## High Voltage and High Current Introduction 135 to 136

Section 4.1 3 kV 35 A 1, 2, 3 and 4 pin 137 to 142

Section 4.2 5 kV 3 A 1, 2 and 4 pin 143 to 144

Section 4.3 5 kV 22 A 1, 2 and 4 pin 145 to 146

Section 4.4 5 kV 110 A 1, 2, 3 and 4 pin 147 to 152

Section 4.5 5 kV to 808 A 1pin 153 to 158

Section 4.6 10 kV to 808 A 1pin 159 to 164

Section 4.7 30 kV to 808 A 1pin 165 to 170





N33K35A1CUM2 [10110]

## Features

### High Voltage and High Current

The High Voltage and High Current series is used for high power, heaters and lamps.

Voltage is offered from 3 to 30 kV DC, current is offered from 3 to 808 A.

Available conductor materials include oxygen-free copper, nickel-plated oxygen-free copper and stainless steel.

Select the most suitable feedthrough from a wide variety of products.

Several types of conductor shape are offered, such as straight type, screw type for convenience, and the type compatible with silicon insulation plugs for safety.

Select flange size and type from NW / KF, ConFlat®, ISO-K, ISO-F and ASA.

Accessories are also available, including vacuum and air side socket contacts and silicon insulation plugs.

We also manufacture custom-made products with quick delivery. Select welding position, number of connectors, and size of custom-made flanges.

## Materials

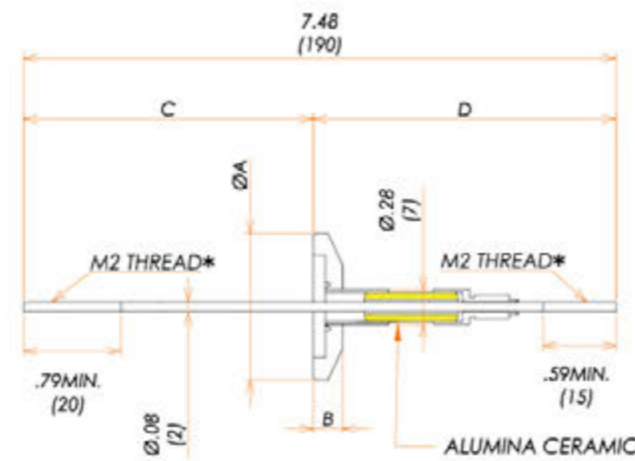
Flange	304 Stainless steel
Adapter	Kovar®
Conductor	Copper
Insulation	Alumina ceramic

## Specifications

Type	Feedthrough
Connector	3 kV / 35 Amps
Voltage: V max. DC	3,000
Current: A Per Pins	35
Insulation: ohm min.	10 <sup>9</sup>
Leak rate: 1.3×Pa · m <sup>3</sup> /s	10 <sup>-10</sup>
Temperature Range: °C*	-196 to 300

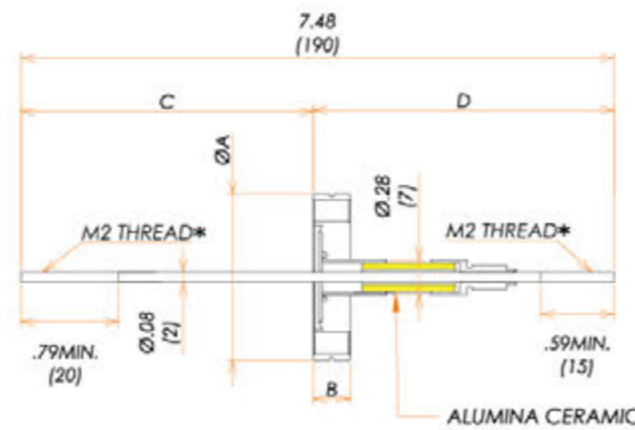
\*Temperature range will be changed depends on the connection.

## NW / KF Flange



\*Provided with nuts and washers.

## ConFlat® Flange



\*Provided with nuts and washers.

Dimensions in inches (mm)

## NW / KF Flange

No. of Pins	INSTALLATION	A	B	C	D	P.C.D.	REFERENCE	PART NUMBER
1	NW / KF 16	1.18 (30)	.24 (6)	5.04 (128)	2.44 (62)	— (-)	N23K35A1CUM2	10237
1	NW / KF 25	1.57 (40)	.24 (6)	5.04 (128)	2.44 (62)	— (-)	N33K35A1CUM2	10110
2	NW / KF 25	1.57 (40)	.24 (6)	5.04 (128)	2.44 (62)	.56 (14)	N33K35A2CUM2	10111
1	NW / KF 40	2.16 (55)	.24 (6)	5.04 (128)	2.44 (62)	— (-)	N43K35A1CUM2	10419
2	NW / KF 40	2.16 (55)	.24 (6)	5.04 (128)	2.44 (62)	.87 (22)	N43K35A2CUM2	10505
3	NW / KF 40	2.16 (55)	.24 (6)	5.04 (128)	2.44 (62)	.95 (24)	N43K35A3CUM2	10274
4	NW / KF 40	2.16 (55)	.24 (6)	5.04 (128)	2.44 (62)	1.03 (26)	N43K35A4CUM2	10130

## ConFlat® Flange

No. of Pins	INSTALLATION	A	B	C	D	P.C.D.	REFERENCE	PART NUMBER
1	CF 1.33	1.33 (34)	.30 (7.5)	5.06 (128.5)	2.42 (61.5)	— (-)	C13K35A1CUM2	10334
1	CF 2.75	2.75 (70)	.50 (12.7)	5.06 (128.5)	2.42 (61.5)	— (-)	C23K35A1CUM2	10343
2	CF 2.75	2.75 (70)	.50 (12.7)	5.06 (128.5)	2.42 (61.5)	.79 (20)	C23K35A2CUM2	10018
3	CF 2.75	2.75 (70)	.50 (12.7)	5.06 (128.5)	2.42 (61.5)	.90 (23)	C23K35A3CUM2	10326
4	CF 2.75	2.75 (70)	.50 (12.7)	5.06 (128.5)	2.42 (61.5)	.99 (25)	C23K35A4CUM2	10019

## Accessories

Description	REFERENCE	PART NUMBER
.094 Socket Contact Vacuum Side	SVC24	10151

For more details, see Section 6.4



N33K35A1CUM2N [11526]

### Features

#### High Voltage and High Current

The High Voltage and High Current series is used for high power, heaters and lamps.

Voltage is offered from 3 to 30 kV DC, current is offered from 3 to 808 A.

Available conductor materials include oxygen-free copper, nickel-plated oxygen-free copper and stainless steel.

Select the most suitable feedthrough from a wide variety of products.

Several types of conductor shape are offered, such as straight type, screw type for convenience, and the type compatible with silicon insulation plugs for safety.

Select flange size and type from NW / KF, ConFlat®, ISO-K, ISO-F and ASA.

Accessories are also available, including vacuum and air side socket contacts and silicon insulation plugs.

We also manufacture custom-made products with quick delivery. Select welding position, number of connectors, and size of custom-made flanges.

### Materials

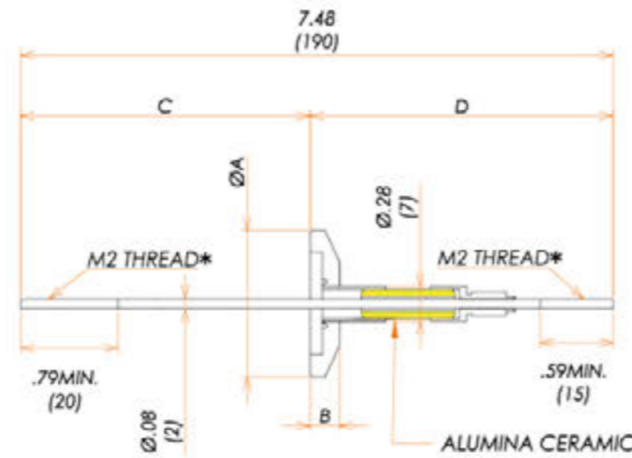
Flange	304 Stainless steel
Adapter	Kovar®
Conductor	Nickel Plated Copper
Insulation	Alumina ceramic

### Specifications

Type	Feedthrough
Connector	3 kV / 35 Amps
Voltage: V max. DC	3,000
Current: A Per Pins	35
Insulation: ohm min.	10 <sup>9</sup>
Leak rate: 1.3×Pa · m <sup>3</sup> /s	10 <sup>-10</sup>
Temperature Range: °C*	-196 to 300

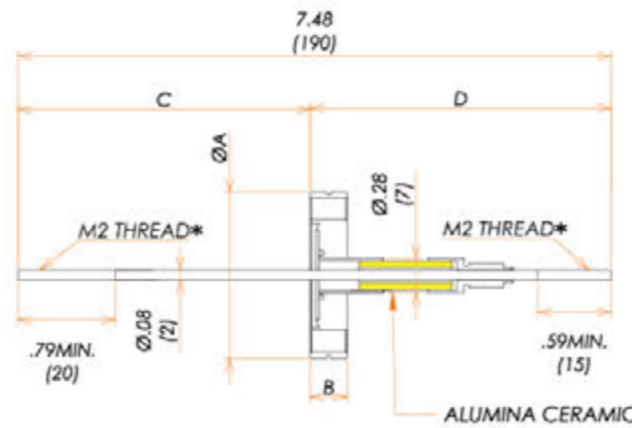
\*Temperature range will be changed depends on the connection.

### NW / KF Flange



\*Provided with nuts and washers.

### ConFlat® Flange



\*Provided with nuts and washers.

Dimensions in inches (mm)

### NW / KF Flange

No. of Pins	INSTALLATION	A	B	C	D	P.C.D.	REFERENCE	PART NUMBER
1	NW / KF 16	1.18 (30)	.24 (6)	5.04 (128)	2.44 (62)	- (-)	N23K35A1CUM2N	11062
1	NW / KF 25	1.57 (40)	.24 (6)	5.04 (128)	2.44 (62)	- (-)	N33K35A1CUM2N	11526
2	NW / KF 25	1.57 (40)	.24 (6)	5.04 (128)	2.44 (62)	.56 (14)	N33K35A2CUM2N	12117
1	NW / KF 40	2.16 (55)	.24 (6)	5.04 (128)	2.44 (62)	- (-)	N43K35A1CUM2N	11550
2	NW / KF 40	2.16 (55)	.24 (6)	5.04 (128)	2.44 (62)	.87 (22)	N43K35A2CUM2N	12118
3	NW / KF 40	2.16 (55)	.24 (6)	5.04 (128)	2.44 (62)	.95 (24)	N43K35A3CUM2N	12119
4	NW / KF 40	2.16 (55)	.24 (6)	5.04 (128)	2.44 (62)	1.03 (26)	N43K35A4CUM2N	12120

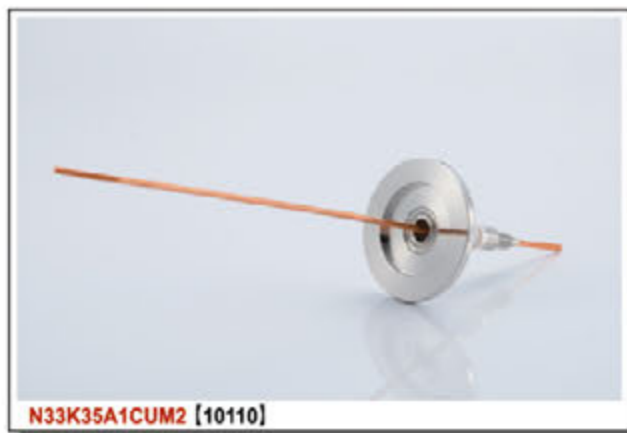
### ConFlat® Flange

No. of Pins	INSTALLATION	A	B	C	D	P.C.D.	REFERENCE	PART NUMBER
1	CF 1.33	1.33 (34)	.30 (7.5)	5.06 (128.5)	2.42 (61.5)	- (-)	C13K35A1CUM2N	11232
1	CF 2.75	2.75 (70)	.50 (12.7)	5.06 (128.5)	2.42 (61.5)	- (-)	C23K35A1CUM2N	11247
2	CF 2.75	2.75 (70)	.50 (12.7)	5.06 (128.5)	2.42 (61.5)	.79 (20)	C23K35A2CUM2N	12121
3	CF 2.75	2.75 (70)	.50 (12.7)	5.06 (128.5)	2.42 (61.5)	.90 (23)	C23K35A3CUM2N	12122
4	CF 2.75	2.75 (70)	.50 (12.7)	5.06 (128.5)	2.42 (61.5)	.99 (25)	C23K35A4CUM2N	12123

### Accessories

Description	REFERENCE	PART NUMBER
.094 Socket Contact Vacuum Side	SVC24	10151

For more details, see Section 6.4



N33K35A1CUM2 [10110]

### Features

#### High Voltage and High Current

The High Voltage and High Current series is used for high power, heaters and lamps.

Voltage is offered from 3 to 30 kV DC, current is offered from 3 to 808 A.

Available conductor materials include oxygen-free copper, nickel-plated oxygen-free copper and stainless steel.

Select the most suitable feedthrough from a wide variety of products.

Several types of conductor shape are offered, such as straight type, screw type for convenience, and the type compatible with silicon insulation plugs for safety.

Select flange size and type from NW / KF, ConFlat®, ISO-K, ISO-F and ASA.

Accessories are also available, including vacuum and air side socket contacts and silicon insulation plugs.

We also manufacture custom-made products with quick delivery. Select welding position, number of connectors, and size of custom-made flanges.

### Materials

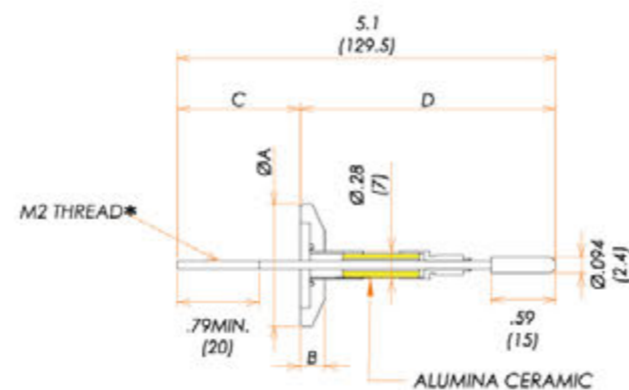
Flange	304 Stainless steel
Adapter	Kovar®
Conductor	Copper
Insulation	Alumina ceramic

### Specifications

Type	Feedthrough
Connector	3 kV / 35 Amps
Voltage: V max. DC	3,000
Current: A Per Pins	35
Insulation: ohm min.	10 <sup>9</sup>
Leak rate: 1.3×Pa · m <sup>3</sup> /s	10 <sup>-10</sup>
Temperature Range: °C*	-196 to 300

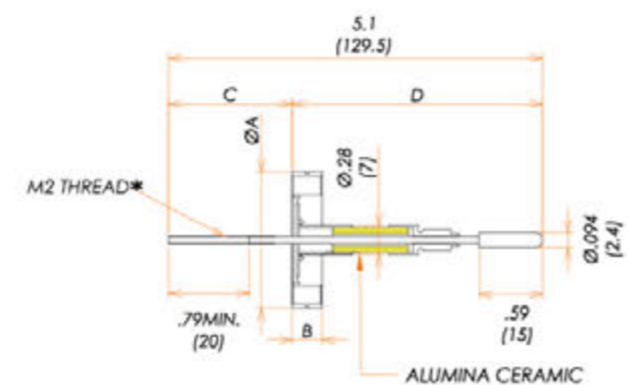
\*Temperature range will be changed depends on the connection.

### NW / KF Flange



\*Provided with nuts and washers.

### ConFlat® Flange



\*Provided with nuts and washers.

Dimensions in inches (mm)

No. of Pins	INSTALLATION	A	B	C	D	P.C.D.	REFERENCE	PART NUMBER
1	NW / KF 16	1.18 (30)	.24 (6)	2.66 (67.5)	2.44 (62)	- (-)	N23K35A1CUM2WP	11509
1	NW / KF 25	1.57 (40)	.24 (6)	2.66 (67.5)	2.44 (62)	- (-)	N33K35A1CUM2WP	11527
1	NW / KF 40	2.16 (55)	.24 (6)	2.66 (67.5)	2.44 (62)	- (-)	N43K35A1CUM2WP	11551
2	NW / KF 40	2.16 (55)	.24 (6)	2.66 (67.5)	2.44 (62)	.98 (25)	N43K35A2CUM2WP	12185
3	NW / KF 40	2.16 (55)	.24 (6)	2.66 (67.5)	2.44 (62)	.98 (25)	N43K35A3CUM2WP	12300
4	NW / KF 40	2.16 (55)	.24 (6)	2.66 (67.5)	2.44 (62)	.98 (25)	N43K35A4CUM2WP	12301

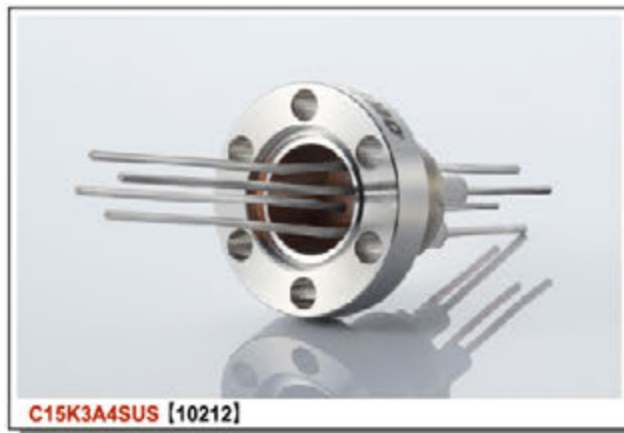
### ConFlat® Flange

No. of Pins	INSTALLATION	A	B	C	D	P.C.D.	REFERENCE	PART NUMBER
1	CF 1.33	1.33 (34)	.30 (7.5)	2.68 (68)	2.46 (62.5)	- (-)	C13K35A1CUM2WP	11233
1	CF 2.75	2.75 (70)	.50 (12.7)	2.68 (68)	2.46 (62.5)	- (-)	C23K35A1CUM2WP	11248
2	CF 2.75	2.75 (70)	.50 (12.7)	2.68 (68)	2.46 (62.5)	.98 (25)	C23K35A2CUM2WP	12183
3	CF 2.75	2.75 (70)	.50 (12.7)	2.68 (68)	2.46 (62.5)	.98 (25)	C23K35A3CUM2WP	12302
4	CF 2.75	2.75 (70)	.50 (12.7)	2.68 (68)	2.46 (62.5)	.98 (25)	C23K35A4CUM2WP	12303

### Accessories

Description	REFERENCE	PART NUMBER
.094 Socket Contact Vacuum Side	SVC24	10151
3 kV Air Side Cable Assembly	ASP3KV	60077

For more details, see Section 6.4



C15K3A4SUS (10212)

### Features

#### High Voltage and High Current

The High Voltage and High Current series is used for high power, heaters and lamps.

Voltage is offered from 3 to 30 kV DC, current is offered from 3 to 808 A.

Available conductor materials include oxygen-free copper, nickel-plated oxygen-free copper and stainless steel.

Select the most suitable feedthrough from a wide variety of products.

Several types of conductor shape are offered, such as straight type, screw type for convenience, and the type compatible with silicon insulation plugs for safety.

Select flange size and type from NW / KF, ConFlat®, ISO-K, ISO-F and ASA.

Accessories are also available, including vacuum and air side socket contacts and silicon insulation plugs.

We also manufacture custom-made products with quick delivery. Select welding position, number of connectors, and size of custom-made flanges.

### Materials

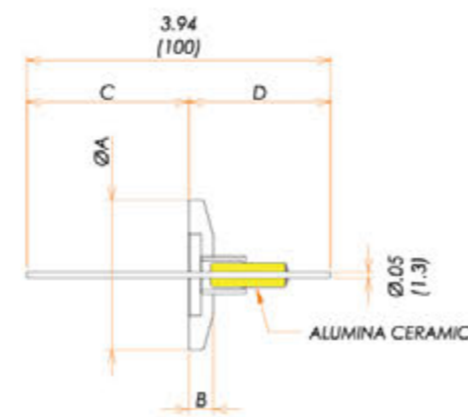
Flange	304 Stainless steel
Adapter	430 Stainless steel
Conductor	304 Stainless steel
Insulation	Alumina ceramic

### Specifications

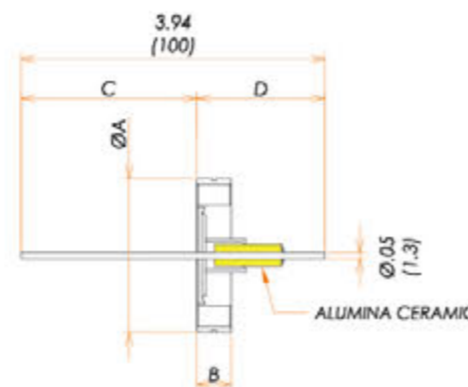
Type	Feedthrough
Connector	5 kV / 3 Amps
Voltage: V max. DC	5,000
Current: A Per Pins	3
Insulation: ohm min.	10 <sup>9</sup>
Leak rate: 1.3×Pa · m <sup>3</sup> /s	10 <sup>-10</sup>
Temperature Range: °C*	-196 to 300

\*Temperature range will be changed depends on the connection.

### NW / KF Flange



### ConFlat® Flange



Dimensions in inches (mm)

### NW / KF Flange

No. of Pins	INSTALLATION	A	B	C	D	P.C.D.	REFERENCE	PART NUMBER
1	NW / KF 16	1.18 (30)	.24 (6)	2.19 (55.5)	1.75 (44.5)	- (-)	N25K3A1SUS	11517
2	NW / KF 16	1.18 (30)	.24 (6)	1.89 (48)	2.05 (52)	.32 (8)	N25K3A2SUS	11518
4	NW / KF 16	1.18 (30)	.24 (6)	1.89 (48)	2.05 (52)	.40 (10)	N25K3A4SUS	11519
1	NW / KF 25	1.57 (40)	.24 (6)	2.19 (55.5)	1.75 (44.5)	- (-)	N35K3A1SUS	11100
2	NW / KF 25	1.57 (40)	.24 (6)	2.19 (55.5)	1.75 (44.5)	.32 (8)	N35K3A2SUS	11101
4	NW / KF 25	1.57 (40)	.24 (6)	2.19 (55.5)	1.75 (44.5)	.40 (10)	N35K3A4SUS	11102

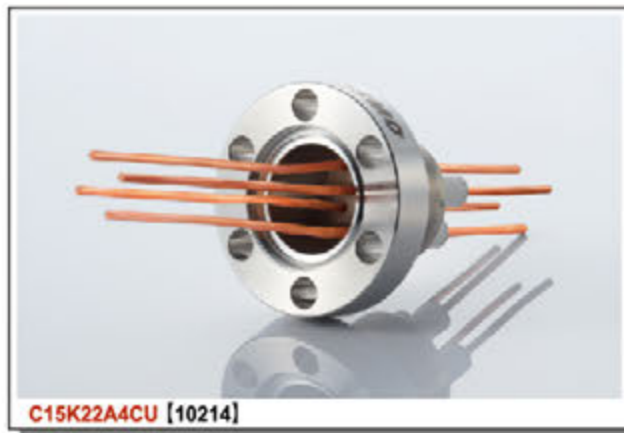
### ConFlat® Flange

No. of Pins	INSTALLATION	A	B	C	D	P.C.D.	REFERENCE	PART NUMBER
1	CF 1.33	1.33 (34)	.30 (7.5)	2.21 (56)	1.73 (44)	- (-)	C15K3A1SUS	10602
2	CF 1.33	1.33 (34)	.30 (7.5)	1.77 (44.8)	2.17 (55.2)	.32 (8)	C15K3A2SUS	10213
4	CF 1.33	1.33 (34)	.30 (7.5)	1.77 (44.8)	2.17 (55.2)	.40 (10)	C15K3A4SUS	10212
1	CF 2.75	2.75 (70)	.50 (12.7)	2.21 (56)	1.73 (44)	- (-)	C25K3A1SUS	11256
2	CF 2.75	2.75 (70)	.50 (12.7)	2.21 (56)	1.73 (44)	.32 (8)	C25K3A2SUS	11257
4	CF 2.75	2.75 (70)	.50 (12.7)	2.21 (56)	1.73 (44)	.40 (10)	C25K3A4SUS	11258

### Accessories

Description	REFERENCE	PART NUMBER
.05 Socket Contact Vacuum Side	SVC15	10146

For more details, see Section 6.4



C15K22A4CU [10214]

### Features

#### High Voltage and High Current

The High Voltage and High Current series is used for high power, heaters and lamps.

Voltage is offered from 3 to 30 kV DC, current is offered from 3 to 808 A.

Available conductor materials include oxygen-free copper, nickel-plated oxygen-free copper and stainless steel.

Select the most suitable feedthrough from a wide variety of products.

Several types of conductor shape are offered, such as straight type, screw type for convenience, and the type compatible with silicon insulation plugs for safety.

Select flange size and type from NW / KF, ConFlat®, ISO-K, ISO-F and ASA.

Accessories are also available, including vacuum and air side socket contacts and silicon insulation plugs.

We also manufacture custom-made products with quick delivery. Select welding position, number of connectors, and size of custom-made flanges.

### Materials

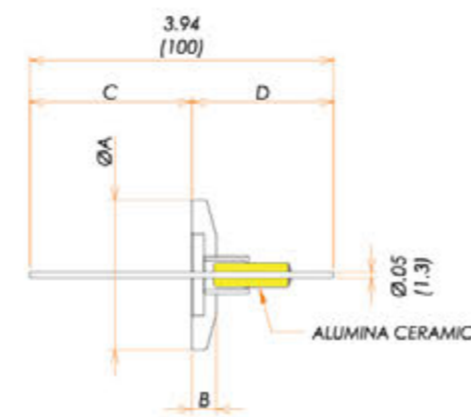
Flange	304 Stainless steel
Adapter	430 Stainless steel
Conductor	Copper
Insulation	Alumina ceramic

### Specifications

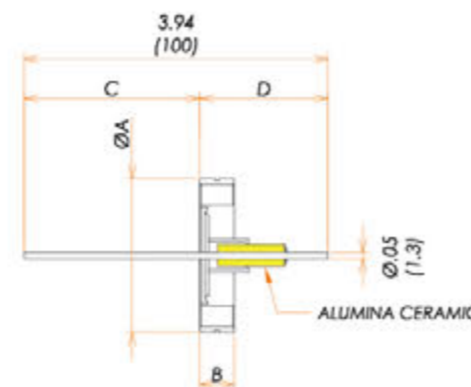
Type	Feedthrough
Connector	5 kV / 22 Amps
Voltage: V max. DC	5,000
Current: A Per Pins	22
Insulation: ohm min.	10 <sup>9</sup>
Leak rate: 1.3×Pa · m <sup>3</sup> /s	10 <sup>-10</sup>
Temperature Range: °C*	-196 to 300

\*Temperature range will be changed depends on the connection.

### NW / KF Flange



### ConFlat® Flange



Dimensions in inches (mm)

### NW / KF Flange

No. of Pins	INSTALLATION	A	B	C	D	P.C.D.	REFERENCE	PART NUMBER
1	NW / KF 16	1.18 (30)	.24 (6)	2.19 (55.5)	1.75 (44.5)	- (-)	N25K22A1CU	12151
2	NW / KF 16	1.18 (30)	.24 (6)	1.89 (48)	2.05 (52)	.32 (8)	N25K22A2CU	11074
4	NW / KF 16	1.18 (30)	.24 (6)	1.89 (48)	2.05 (52)	.40 (10)	N25K22A4CU	12152
1	NW / KF 25	1.57 (40)	.24 (6)	2.19 (55.5)	1.75 (44.5)	- (-)	N35K22A1CU	11097
2	NW / KF 25	1.57 (40)	.24 (6)	2.19 (55.5)	1.75 (44.5)	.32 (8)	N35K22A2CU	11098
4	NW / KF 25	1.57 (40)	.24 (6)	2.19 (55.5)	1.75 (44.5)	.40 (10)	N35K22A4CU	11099

### ConFlat® Flange

No. of Pins	INSTALLATION	A	B	C	D	P.C.D.	REFERENCE	PART NUMBER
1	CF 1.33	1.33 (34)	.30 (7.5)	2.21 (56)	1.73 (44)	- (-)	C15K22A1CU	10599
2	CF 1.33	1.33 (34)	.30 (7.5)	1.77 (44.8)	2.17 (55.2)	.32 (8)	C15K22A2CU	10215
4	CF 1.33	1.33 (34)	.30 (7.5)	1.77 (44.8)	2.17 (55.2)	.40 (10)	C15K22A4CU	10214
1	CF 2.75	2.75 (70)	.50 (12.7)	2.21 (56)	1.73 (44)	- (-)	C25K22A1CU	12153
2	CF 2.75	2.75 (70)	.50 (12.7)	2.21 (56)	1.73 (44)	.32 (8)	C25K22A2CU	12181
4	CF 2.75	2.75 (70)	.50 (12.7)	2.21 (56)	1.73 (44)	.40 (10)	C25K22A4CU	10611

### Accessories

Description	REFERENCE	PART NUMBER
.05 Socket Contact Vacuum Side	SVC15	10146

For more details, see Section 6.4



C25K110A4CUM5 [10022]

### Features

#### High Voltage and High Current

The High Voltage and High Current series is used for high power, heaters and lamps.

Voltage is offered from 3 to 30 kV DC, current is offered from 3 to 808 A.

Available conductor materials include oxygen-free copper, nickel-plated oxygen-free copper and stainless steel.

Select the most suitable feedthrough from a wide variety of products.

Several types of conductor shape are offered, such as straight type, screw type for convenience, and the type compatible with silicon insulation plugs for safety.

Select flange size and type from NW / KF, ConFlat®, ISO-K, ISO-F and ASA.

Accessories are also available, including vacuum and air side socket contacts and silicon insulation plugs.

We also manufacture custom-made products with quick delivery. Select welding position, number of connectors, and size of custom-made flanges.

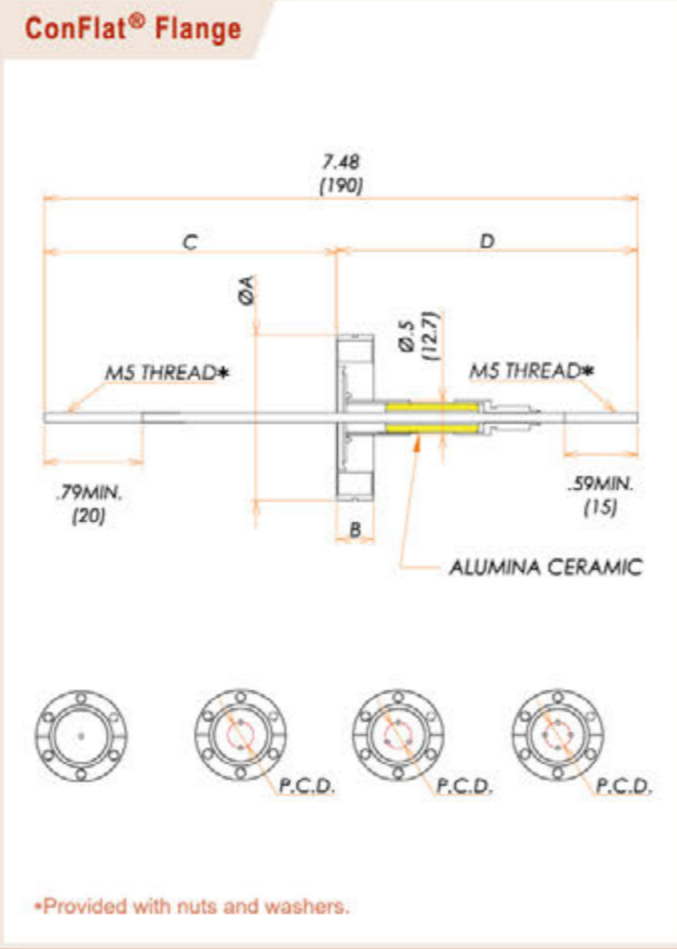
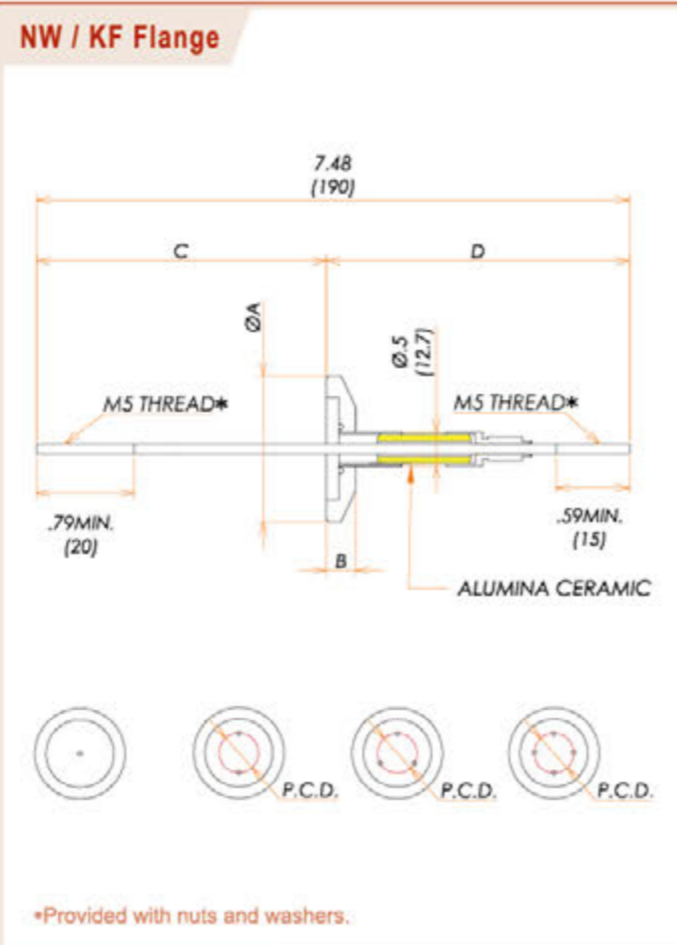
### Materials

Flange	304 Stainless steel
Adapter	Kovar®
Conductor	Copper
Insulation	Alumina ceramic

### Specifications

Type	Feedthrough
Connector	5 kV / 110 Amps
Voltage: V max. DC	5,000
Current: A Per Pins	110
Insulation: ohm min.	10 <sup>9</sup>
Leak rate: 1.3×Pa · m <sup>3</sup> /s	10 <sup>-10</sup>
Temperature Range: °C*	-196 to 300

\*Temperature range will be changed depends on the connection.



Dimensions in inches (mm)

No. of Pins	INSTALLATION	A	B	C	D	P.C.D.	REFERENCE	PART NUMBER
1	NW / KF 16	1.18 (30)	.24 (6)	4.58 (116.5)	2.90 (73.5)	- (-)	N25K110A1CUM5	10103
1	NW / KF 25	1.57 (40)	.24 (6)	4.58 (116.5)	2.90 (73.5)	- (-)	N35K110A1CUM5	10303
2	NW / KF 25	1.57 (40)	.24 (6)	4.58 (116.5)	2.90 (73.5)	.55 (14)	N35K110A2CUM5	10421
1	NW / KF 40	2.16 (55)	.24 (6)	4.58 (116.5)	2.90 (73.5)	- (-)	N45K110A1CUM5	10294
2	NW / KF 40	2.16 (55)	.24 (6)	4.58 (116.5)	2.90 (73.5)	.87 (22)	N45K110A2CUM5	10131
3	NW / KF 40	2.16 (55)	.24 (6)	4.58 (116.5)	2.90 (73.5)	.91 (23)	N45K110A3CUM5	10270
4	NW / KF 40	2.16 (55)	.24 (6)	4.58 (116.5)	2.90 (73.5)	1.02 (26)	N45K110A4CUM5	10302

### ConFlat® Flange

No. of Pins	INSTALLATION	A	B	C	D	P.C.D.	REFERENCE	PART NUMBER
1	CF 1.33	1.33 (34)	.30 (7.5)	4.61 (117)	2.87 (73)	- (-)	C15K110A1CUM5	10432
1	CF 2.75	2.75 (70)	.50 (12.7)	4.61 (117)	2.87 (73)	- (-)	C25K110A1CUM5	10020
2	CF 2.75	2.75 (70)	.50 (12.7)	4.61 (117)	2.87 (73)	.87 (22)	C25K110A2CUM5	10021
3	CF 2.75	2.75 (70)	.50 (12.7)	4.61 (117)	2.87 (73)	.91 (23)	C25K110A3CUM5	10450
4	CF 2.75	2.75 (70)	.50 (12.7)	4.61 (117)	2.87 (73)	.91 (23)	C25K110A4CUM5	10022

### Accessories

Description	REFERENCE	PART NUMBER
.25 Socket Contact Vacuum Side	SVC64	10155

For more details, see Section 6.4



C25K110A4CUM5N [11870]

### Features

#### High Voltage and High Current

The High Voltage and High Current series is used for high power, heaters and lamps.

Voltage is offered from 3 to 30 kV DC, current is offered from 3 to 808 A.

Available conductor materials include oxygen-free copper, nickel-plated oxygen-free copper and stainless steel.

Select the most suitable feedthrough from a wide variety of products.

Several types of conductor shape are offered, such as straight type, screw type for convenience, and the type compatible with silicon insulation plugs for safety.

Select flange size and type from NW / KF, ConFlat®, ISO-K, ISO-F and ASA.

Accessories are also available, including vacuum and air side socket contacts and silicon insulation plugs.

We also manufacture custom-made products with quick delivery. Select welding position, number of connectors, and size of custom-made flanges.

### Materials

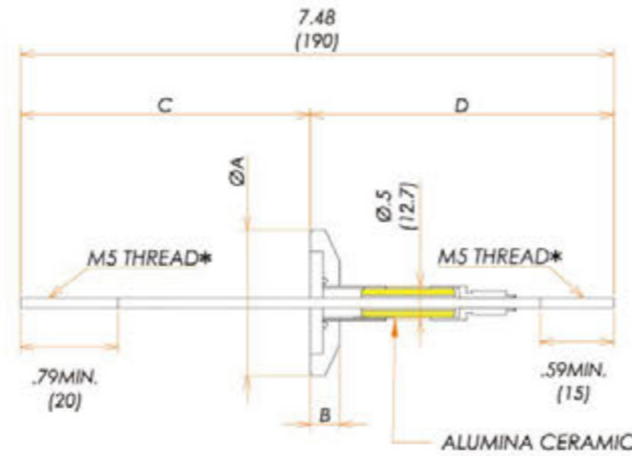
Flange	304 Stainless steel
Adapter	Kovar®
Conductor	Nickel Plated Copper
Insulation	Alumina ceramic

### Specifications

Type	Feedthrough
Connector	5 kV / 110 Amps
Voltage: V max. DC	5,000
Current: A Per Pins	110
Insulation: ohm min.	10 <sup>9</sup>
Leak rate: 1.3×Pa · m <sup>3</sup> /s	10 <sup>-10</sup>
Temperature Range: °C*	-196 to 300

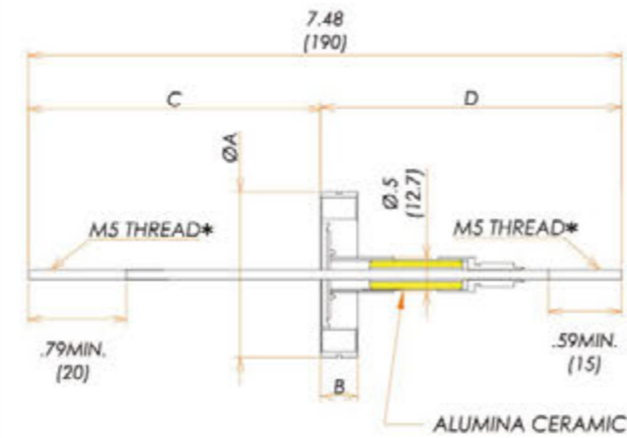
\*Temperature range will be changed depends on the connection.

### NW / KF Flange



\*Provided with nuts and washers.

### ConFlat® Flange



\*Provided with nuts and washers.

Dimensions in inches (mm)

### NW / KF Flange

No. of Pins	INSTALLATION	A	B	C	D	P.C.D.	REFERENCE	PART NUMBER
1	NW / KF 16	1.18 (30)	.24 (6)	4.58 (116.5)	2.90 (73.5)	- (-)	N25K110A1CUM5N	11511
1	NW / KF 25	1.57 (40)	.24 (6)	4.58 (116.5)	2.90 (73.5)	- (-)	N35K110A1CUM5N	11529
2	NW / KF 25	1.57 (40)	.24 (6)	4.58 (116.5)	2.90 (73.5)	.55 (14)	N35K110A2CUM5N	12315
1	NW / KF 40	2.16 (55)	.24 (6)	4.58 (116.5)	2.90 (73.5)	- (-)	N45K110A1CUM5N	11553
2	NW / KF 40	2.16 (55)	.24 (6)	4.58 (116.5)	2.90 (73.5)	.87 (22)	N45K110A2CUM5N	11865
3	NW / KF 40	2.16 (55)	.24 (6)	4.58 (116.5)	2.90 (73.5)	.91 (23)	N45K110A3CUM5N	11869
4	NW / KF 40	2.16 (55)	.24 (6)	4.58 (116.5)	2.90 (73.5)	1.02 (26)	N45K110A4CUM5N	12286

### ConFlat® Flange

No. of Pins	INSTALLATION	A	B	C	D	P.C.D.	REFERENCE	PART NUMBER
1	CF 1.33	1.33 (34)	.30 (7.5)	4.61 (117)	2.87 (73)	- (-)	C15K110A1CUM5N	11235
1	CF 2.75	2.75 (70)	.50 (12.7)	4.61 (117)	2.87 (73)	- (-)	C25K110A1CUM5N	11250
2	CF 2.75	2.75 (70)	.50 (12.7)	4.61 (117)	2.87 (73)	.87 (22)	C25K110A2CUM5N	11852
3	CF 2.75	2.75 (70)	.50 (12.7)	4.61 (117)	2.87 (73)	.91 (23)	C25K110A3CUM5N	11866
4	CF 2.75	2.75 (70)	.50 (12.7)	4.61 (117)	2.87 (73)	.91 (23)	C25K110A4CUM5N	11870

### Accessories

Description	REFERENCE	PART NUMBER
.25 Socket Contact Vacuum Side	SVC64	10155

For more details, see Section 6.4





C25K110A4CUM5 [10022]

### Features

#### High Voltage and High Current

The High Voltage and High Current series is used for high power, heaters and lamps.

Voltage is offered from 3 to 30 kV DC, current is offered from 3 to 808 A.

Available conductor materials include oxygen-free copper, nickel-plated oxygen-free copper and stainless steel.

Select the most suitable feedthrough from a wide variety of products.

Several types of conductor shape are offered, such as straight type, screw type for convenience, and the type compatible with silicon insulation plugs for safety.

Select flange size and type from NW / KF, ConFlat®, ISO-K, ISO-F and ASA.

Accessories are also available, including vacuum and air side socket contacts and silicon insulation plugs.

We also manufacture custom-made products with quick delivery. Select welding position, number of connectors, and size of custom-made flanges.

### Materials

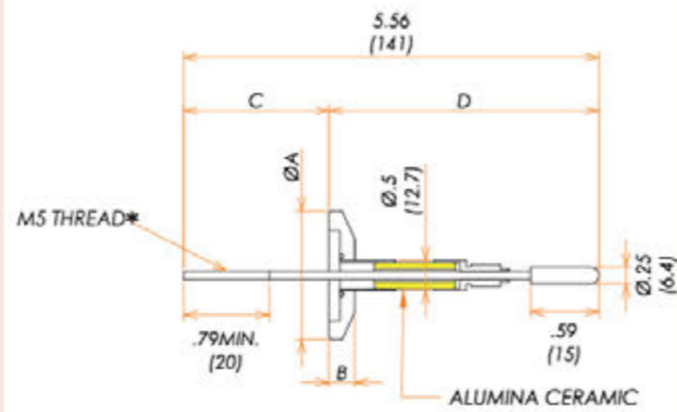
Flange	304 Stainless steel
Adapter	Kovar®
Conductor	Copper
Insulation	Alumina ceramic

### Specifications

Type	Feedthrough
Connector	5 kV / 110 Amps
Voltage: V max. DC	5,000
Current: A Per Pins	110
Insulation: ohm min.	10 <sup>9</sup>
Leak rate: 1.3×Pa · m <sup>3</sup> /s	10 <sup>-10</sup>
Temperature Range: °C*	-196 to 300

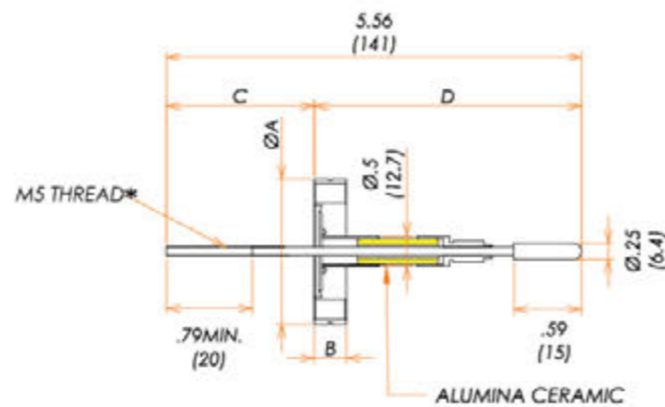
\*Temperature range will be changed depends on the connection.

### NW / KF Flange



\*Provided with nuts and washers.

### ConFlat® Flange



\*Provided with nuts and washers.

Dimensions in inches (mm)

### NW / KF Flange

No. of Pins	INSTALLATION	A	B	C	D	P.C.D.	REFERENCE	PART NUMBER
1	NW / KF 16	1.18 (30)	.24 (6)	2.66 (67.5)	2.90 (73.5)	— (-)	N25K110A1CM5WP	11510
1	NW / KF 25	1.57 (40)	.24 (6)	2.66 (67.5)	2.90 (73.5)	— (-)	N35K110A1CM5WP	11528
1	NW / KF 40	2.16 (55)	.24 (6)	2.66 (67.5)	2.90 (73.5)	— (-)	N45K110A1CM5WP	11552
2	NW / KF 40	2.16 (55)	.24 (6)	2.66 (67.5)	2.90 (73.5)	1.02 (26)	N45K110A2CM5WP	12287

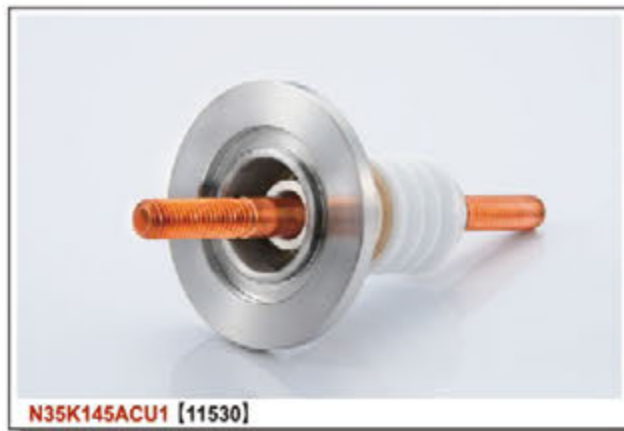
### ConFlat® Flange

No. of Pins	INSTALLATION	A	B	C	D	P.C.D.	REFERENCE	PART NUMBER
1	CF 1.33	1.33 (34)	.30 (7.5)	2.68 (68)	2.88 (73)	— (-)	C15K110A1CM5WP	11234
1	CF 2.75	2.75 (70)	.50 (12.7)	2.68 (68)	2.88 (73)	— (-)	C25K110A1CM5WP	11249
2	CF 2.75	2.75 (70)	.50 (12.7)	2.68 (68)	2.88 (73)	1.02 (26)	C25K110A2CM5WP	12288

### Accessories

Description	REFERENCE	PART NUMBER
.25 Socket Contact Vacuum Side	SVC64	10155
5 kV Air Side Cable Assembly	ASP5KV	60076

For more details, see Section 6.4



N35K145ACU1 [11530]

### Features

#### High Voltage and High Current

The High Voltage and High Current series is used for high power, heaters and lamps.

Voltage is offered from 3 to 30 kV DC, current is offered from 3 to 808 A.

Available conductor materials include oxygen-free copper, nickel-plated oxygen-free copper and stainless steel.

Select the most suitable feedthrough from a wide variety of products.

Several types of conductor shape are offered, such as straight type, screw type for convenience, and the type compatible with silicon insulation plugs for safety.

Select flange size and type from NW / KF, ConFlat®, ISO-K, ISO-F and ASA.

Accessories are also available, including vacuum and air side socket contacts and silicon insulation plugs.

We also manufacture custom-made products with quick delivery. Select welding position, number of connectors, and size of custom-made flanges.

### Materials

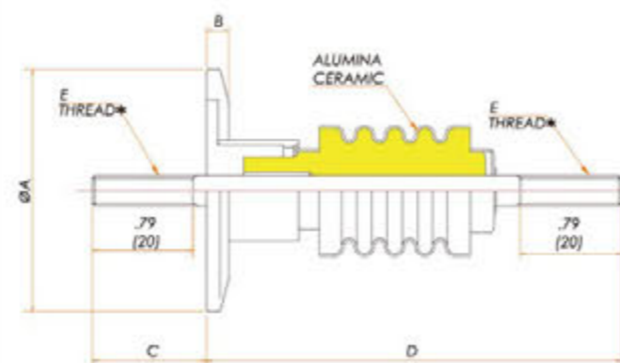
Flange	304 Stainless steel
Adapter	304 Stainless steel
Conductor	See table
Insulation	Alumina ceramic

### Specifications

Type	Feedthrough
Connector	5 kV / to 145 Amps
Voltage: V max. DC	5,000
Current: A Per Pins	to 145
Insulation: ohm min.	10 <sup>9</sup>
Leak rate: 1.3×Pa · m <sup>3</sup> /s	10 <sup>-10</sup>
Temperature Range: °C*	-196 to 300

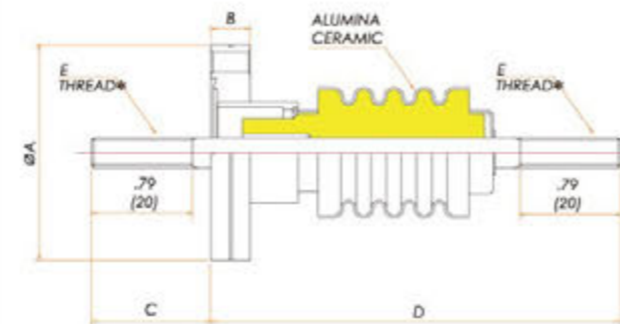
\*Temperature range will be changed depends on the connection.

### NW / KF Flange



\*Provided with nuts and washers.

### ConFlat® Flange



\*Provided with nuts and washers.

Dimensions in inches (mm)

### NW / KF Flange

No. of Pins	INSTALLATION	AMPS	CONDUCTOR MATERIAL	A	B	C	D	E	REFERENCE	PART NUMBER
1	NW / KF 16	145	Copper	1.18 (30)	.24 (6)	.59 (15)	2.95 (75)	M6	N25K145ACU1	11512
1	NW / KF 16	22	304 Stn. Stl.	1.18 (30)	.24 (6)	.59 (15)	2.95 (75)	M6	N25K22ASS1	11516
1	NW / KF 25	145	Copper	1.57 (40)	.24 (6)	.89 (22.5)	2.66 (67.5)	M6	N35K145ACU1	11530
1	NW / KF 25	22	304 Stn. Stl.	1.57 (40)	.24 (6)	.89 (22.5)	2.66 (67.5)	M6	N35K22ASS1	11534
1	NW / KF 40	145	Copper	2.16 (55)	.24 (6)	.89 (22.5)	2.66 (67.5)	M6	N45K145ACU1	11554
1	NW / KF 40	22	304 Stn. Stl.	2.16 (55)	.24 (6)	.89 (22.5)	2.66 (67.5)	M6	N45K22ASS1	11555

### ConFlat® Flange

No. of Pins	INSTALLATION	AMPS	CONDUCTOR MATERIAL	A	B	C	D	E	REFERENCE	PART NUMBER
1	CF 1.33	145	Copper	1.33 (34)	.30 (7.5)	.46 (11.8)	3.08 (78.2)	M6	C15K145ACU1	11236
1	CF 1.33	22	304 Stn. Stl.	1.33 (34)	.30 (7.5)	.46 (11.8)	3.08 (78.2)	M6	C15K22ASS1	11238
1	CF 2.75	145	Copper	2.75 (70)	.50 (12.7)	.90 (23)	2.64 (67)	M6	C25K145ACU1	11251
1	CF 2.75	22	304 Stn. Stl.	2.75 (70)	.50 (12.7)	.90 (23)	2.64 (67)	M6	C25K22ASS1	11255



N35K145ACU1 [11530]

### Features

#### High Voltage and High Current

The High Voltage and High Current series is used for high power, heaters and lamps.

Voltage is offered from 3 to 30 kV DC, current is offered from 3 to 808 A.

Available conductor materials include oxygen-free copper, nickel-plated oxygen-free copper and stainless steel.

Select the most suitable feedthrough from a wide variety of products.

Several types of conductor shape are offered, such as straight type, screw type for convenience, and the type compatible with silicon insulation plugs for safety.

Select flange size and type from NW / KF, ConFlat®, ISO-K, ISO-F and ASA.

Accessories are also available, including vacuum and air side socket contacts and silicon insulation plugs.

We also manufacture custom-made products with quick delivery. Select welding position, number of connectors, and size of custom-made flanges.

### Materials

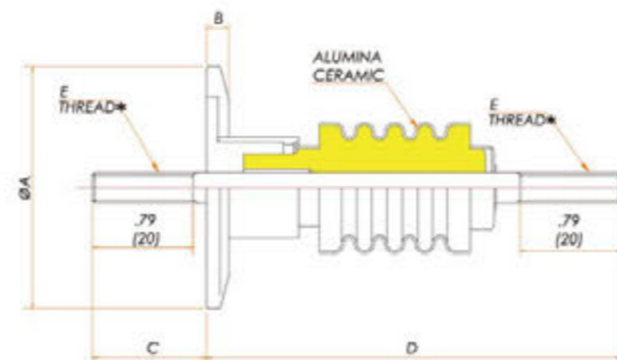
Flange	304 Stainless steel
Adapter	304 Stainless steel
Conductor	See table
Insulation	Alumina ceramic

### Specifications

Type	Feedthrough
Connector	5 kV / to 476 Amps
Voltage: V max. DC	5,000
Current: A Per Pins	to 476
Insulation: ohm min.	10 <sup>9</sup>
Leak rate: 1.3×Pa · m <sup>3</sup> /s	10 <sup>-10</sup>
Temperature Range: °C*	-196 to 300

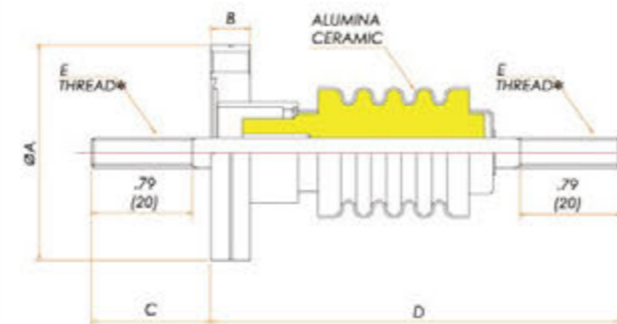
\*Temperature range will be changed depends on the connection.

### NW / KF Flange



\*Provided with nuts and washers.

### ConFlat® Flange



\*Provided with nuts and washers.

Dimensions in inches (mm)

### NW / KF Flange

No. of Pins	INSTALLATION	AMPS	CONDUCTOR MATERIAL	A	B	C	D	E	REFERENCE	PART NUMBER
1	NW / KF 40	476	Copper	2.16 (55)	.24 (6)	.89 (22.5)	2.66 (67.5)	M16	N45K476ACU1	11556
1	NW / KF 40	73	304 Stn. Stl.	2.16 (55)	.24 (6)	.89 (22.5)	2.66 (67.5)	M16	N45K73ASS1	11557
1	NW / KF 50	476	Copper	2.95 (75)	.24 (6)	.89 (22.5)	2.66 (67.5)	M16	N55K476ACU1	12304
1	NW / KF 50	73	304 Stn. Stl.	2.95 (75)	.24 (6)	.89 (22.5)	2.66 (67.5)	M16	N55K73ASS1	12305

### ConFlat® Flange

No. of Pins	INSTALLATION	AMPS	CONDUCTOR MATERIAL	A	B	C	D	E	REFERENCE	PART NUMBER
1	CF 2.75	476	Copper	2.75 (70)	.30 (7.5)	.90 (23)	2.64 (67)	M16	C25K476ACU1	11259
1	CF 2.75	73	304 Stn. Stl.	2.75 (70)	.30 (7.5)	.90 (23)	2.64 (67)	M16	C25K73ASS1	11260
1	CF 4.50	476	Copper	4.50 (114)	.50 (12.7)	.90 (23)	2.64 (67)	M16	C35K476ACU1	12306
1	CF 4.50	73	304 Stn. Stl.	4.50 (114)	.50 (12.7)	.90 (23)	2.64 (67)	M16	C35K73ASS1	12307



N35K145ACU1 [11530]

### Features

#### High Voltage and High Current

The High Voltage and High Current series is used for high power, heaters and lamps.

Voltage is offered from 3 to 30 kV DC, current is offered from 3 to 808 A.

Available conductor materials include oxygen-free copper, nickel-plated oxygen-free copper and stainless steel.

Select the most suitable feedthrough from a wide variety of products.

Several types of conductor shape are offered, such as straight type, screw type for convenience, and the type compatible with silicon insulation plugs for safety.

Select flange size and type from NW / KF, ConFlat®, ISO-K, ISO-F and ASA.

Accessories are also available, including vacuum and air side socket contacts and silicon insulation plugs.

We also manufacture custom-made products with quick delivery. Select welding position, number of connectors, and size of custom-made flanges.

### Materials

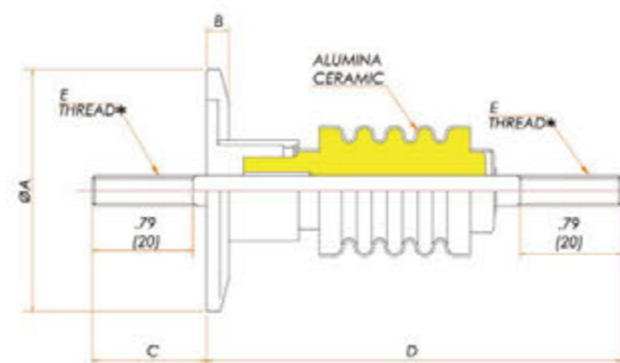
Flange	304 Stainless steel
Adapter	304 Stainless steel
Conductor	See table
Insulation	Alumina ceramic

### Specifications

Type	Feedthrough
Connector	5 kV / to 808 Amps
Voltage: V max. DC	5,000
Current: A Per Pins	to 808
Insulation: ohm min.	10 <sup>9</sup>
Leak rate: 1.3×Pa · m <sup>3</sup> /s	10 <sup>-10</sup>
Temperature Range: °C*	-196 to 300

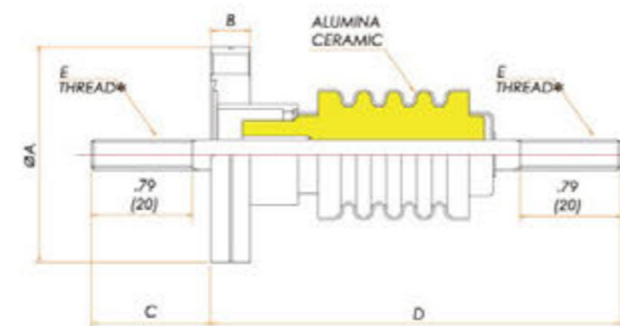
\*Temperature range will be changed depends on the connection.

### NW / KF Flange



\*Provided with nuts and washers.

### ConFlat® Flange



\*Provided with nuts and washers.

Dimensions in inches (mm)

### NW / KF Flange

No. of Pins	INSTALLATION	AMPS	CONDUCTOR MATERIAL	A	B	C	D	E	REFERENCE	PART NUMBER
1	NW / KF 50	808	Copper	2.95 (75)	.24 (6)	.89 (22.5)	2.66 (67.5)	M25	N55K808ACU1	11563
1	NW / KF 50	124	304 Stn. Stl.	2.95 (75)	.24 (6)	.89 (22.5)	2.66 (67.5)	M25	N55K124ASS1	11562

### ConFlat® Flange

No. of Pins	INSTALLATION	AMPS	CONDUCTOR MATERIAL	A	B	C	D	E	REFERENCE	PART NUMBER
1	CF 4.50	808	Copper	4.50 (114)	.69 (17.5)	.90 (23)	2.64 (67)	M25	C35K808ACU1	11272
1	CF 4.50	124	304 Stn. Stl.	4.50 (114)	.69 (17.5)	.90 (23)	2.64 (67)	M25	C35K124ASS1	11271



N310K145ACU1 [11524]

### Features

#### High Voltage and High Current

The High Voltage and High Current series is used for high power, heaters and lamps.

Voltage is offered from 3 to 30 kV DC, current is offered from 3 to 808 A.

Available conductor materials include oxygen-free copper, nickel-plated oxygen-free copper and stainless steel.

Select the most suitable feedthrough from a wide variety of products.

Several types of conductor shape are offered, such as straight type, screw type for convenience, and the type compatible with silicon insulation plugs for safety.

Select flange size and type from NW / KF, ConFlat®, ISO-K, ISO-F and ASA.

Accessories are also available, including vacuum and air side socket contacts and silicon insulation plugs.

We also manufacture custom-made products with quick delivery. Select welding position, number of connectors, and size of custom-made flanges.

### Materials

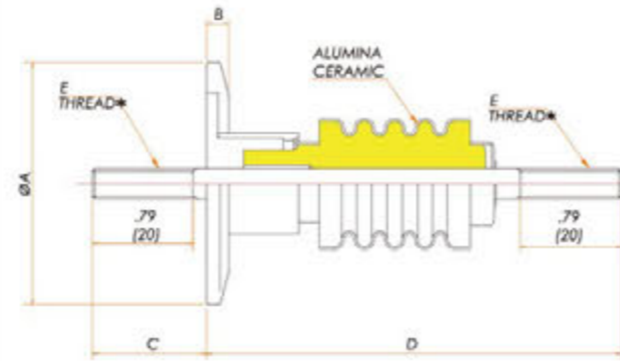
Flange	304 Stainless steel
Adapter	304 Stainless steel
Conductor	See table
Insulation	Alumina ceramic

### Specifications

Type	Feedthrough
Connector	10 kV / to 145 Amps
Voltage: V max. DC	10,000
Current: A Per Pins	to 145
Insulation: ohm min.	10 <sup>9</sup>
Leak rate: 1.3×Pa · m <sup>3</sup> /s	10 <sup>-10</sup>
Temperature Range: °C*	-196 to 300

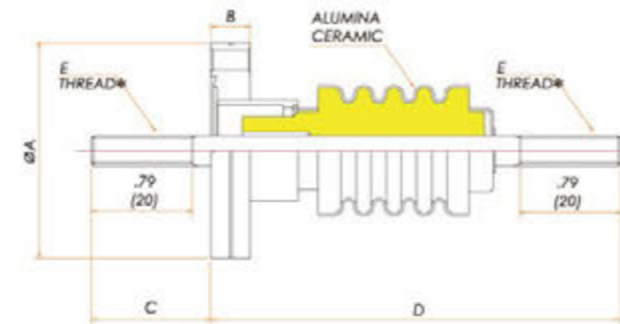
\*Temperature range will be changed depends on the connection.

### NW / KF Flange



\*Provided with nuts and washers.

### ConFlat® Flange



\*Provided with nuts and washers.

Dimensions in inches (mm)

### NW / KF Flange

No. of Pins	INSTALLATION	AMPS	CONDUCTOR MATERIAL	A	B	C	D	E	REFERENCE	PART NUMBER
1	NW / KF 16	145	Copper	1.18 (30)	.24 (6)	.59 (15)	3.54 (90)	M6	N210K145ACU1	12308
1	NW / KF 16	22	304 Stn. Stl.	1.18 (30)	.24 (6)	.59 (15)	3.54 (90)	M6	N210K22ASS1	12309
1	NW / KF 25	145	Copper	1.57 (40)	.24 (6)	.89 (22.5)	3.25 (82.5)	M6	N310K145ACU1	11524
1	NW / KF 25	22	304 Stn. Stl.	1.57 (40)	.24 (6)	.89 (22.5)	3.25 (82.5)	M6	N310K22ASS1	11525
1	NW / KF 40	145	Copper	2.16 (55)	.24 (6)	.89 (22.5)	3.25 (82.5)	M6	N410K145ACU1	11545
1	NW / KF 40	22	304 Stn. Stl.	2.16 (55)	.24 (6)	.89 (22.5)	3.25 (82.5)	M6	N410K22ASS1	11546

### ConFlat® Flange

No. of Pins	INSTALLATION	AMPS	CONDUCTOR MATERIAL	A	B	C	D	E	REFERENCE	PART NUMBER
1	CF 1.33	145	Copper	1.33 (34)	.30 (7.5)	.46 (11.8)	3.67 (93.2)	M6	C110K145ACU1	11230
1	CF 1.33	22	304 Stn. Stl.	1.33 (34)	.30 (7.5)	.46 (11.8)	3.67 (93.2)	M6	C110K22ASS1	11231
1	CF 2.75	145	Copper	2.75 (70)	.50 (12.7)	.90 (23)	3.23 (82)	M6	C210K145ACU1	11242
1	CF 2.75	22	304 Stn. Stl.	2.75 (70)	.50 (12.7)	.90 (23)	3.23 (82)	M6	C210K22ASS1	11243



N310K145ACU1 [11524]

### Features

#### High Voltage and High Current

The High Voltage and High Current series is used for high power, heaters and lamps.

Voltage is offered from 3 to 30 kV DC, current is offered from 3 to 808 A.

Available conductor materials include oxygen-free copper, nickel-plated oxygen-free copper and stainless steel.

Select the most suitable feedthrough from a wide variety of products.

Several types of conductor shape are offered, such as straight type, screw type for convenience, and the type compatible with silicon insulation plugs for safety.

Select flange size and type from NW / KF, ConFlat®, ISO-K, ISO-F and ASA.

Accessories are also available, including vacuum and air side socket contacts and silicon insulation plugs.

We also manufacture custom-made products with quick delivery. Select welding position, number of connectors, and size of custom-made flanges.

### Materials

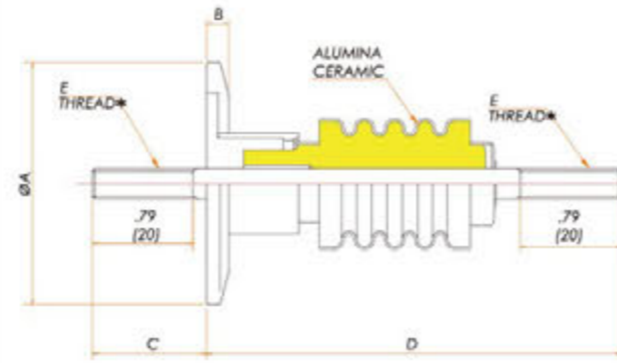
Flange	304 Stainless steel
Adapter	304 Stainless steel
Conductor	See table
Insulation	Alumina ceramic

### Specifications

Type	Feedthrough
Connector	10 kV / to 476 Amps
Voltage: V max. DC	10,000
Current: A Per Pins	to 476
Insulation: ohm min.	10 <sup>9</sup>
Leak rate: 1.3×Pa · m <sup>3</sup> /s	10 <sup>-10</sup>
Temperature Range: °C*	-196 to 300

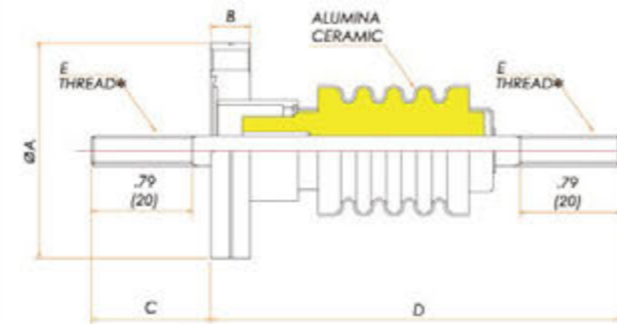
\*Temperature range will be changed depends on the connection.

### NW / KF Flange



\*Provided with nuts and washers.

### ConFlat® Flange



\*Provided with nuts and washers.

Dimensions in inches (mm)

### NW / KF Flange

No. of Pins	INSTALLATION	AMPS	CONDUCTOR MATERIAL	A	B	C	D	E	REFERENCE	PART NUMBER
1	NW / KF 40	476	Copper	2.16 (55)	.24 (6)	.89 (22.5)	3.25 (82.5)	M16	N410K476ACU1	11544
1	NW / KF 40	73	304 Stn. Stl.	2.16 (55)	.24 (6)	.89 (22.5)	3.25 (82.5)	M16	N410K73ASS1	11547
1	NW / KF 50	476	Copper	2.95 (75)	.24 (6)	.89 (22.5)	3.25 (82.5)	M16	N510K476ACU1	12310
1	NW / KF 50	73	304 Stn. Stl.	2.95 (75)	.24 (6)	.89 (22.5)	3.25 (82.5)	M16	N510K73ASS1	12311

### ConFlat® Flange

No. of Pins	INSTALLATION	AMPS	CONDUCTOR MATERIAL	A	B	C	D	E	REFERENCE	PART NUMBER
1	CF 2.75	476	Copper	2.75 (70)	.50 (12.7)	.90 (23)	3.23 (82)	M16	C210K476ACU1	12231
1	CF 2.75	73	304 Stn. Stl.	2.75 (70)	.50 (12.7)	.90 (23)	3.23 (82)	M16	C210K73ASS1	11244
1	CF 4.50	476	Copper	2.95 (75)	.69 (17.5)	.90 (23)	3.23 (82)	M16	C310K476ACU1	12312
1	CF 4.50	73	304 Stn. Stl.	2.95 (75)	.69 (17.5)	.90 (23)	3.23 (82)	M16	C310K73ASS1	12313



N310K145ACU1 [11524]

## Features

### High Voltage and High Current

The High Voltage and High Current series is used for high power, heaters and lamps.

Voltage is offered from 3 to 30 kV DC, current is offered from 3 to 808 A.

Available conductor materials include oxygen-free copper, nickel-plated oxygen-free copper and stainless steel.

Select the most suitable feedthrough from a wide variety of products.

Several types of conductor shape are offered, such as straight type, screw type for convenience, and the type compatible with silicon insulation plugs for safety.

Select flange size and type from NW / KF, ConFlat®, ISO-K, ISO-F and ASA.

Accessories are also available, including vacuum and air side socket contacts and silicon insulation plugs.

We also manufacture custom-made products with quick delivery. Select welding position, number of connectors, and size of custom-made flanges.

## Materials

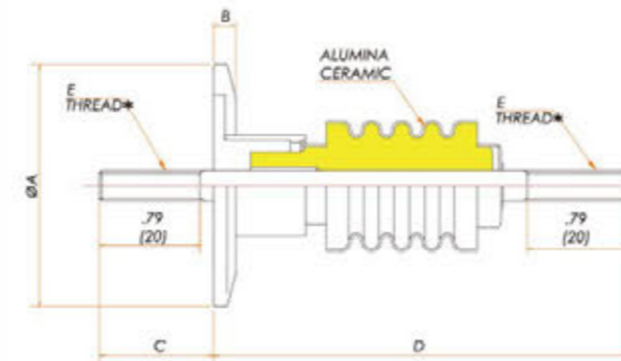
Flange	304 Stainless steel
Adapter	304 Stainless steel
Conductor	See table
Insulation	Alumina ceramic

## Specifications

Type	Feedthrough
Connector	10 kV / to 808 Amps
Voltage: V max. DC	10,000
Current: A Per Pins	to 808
Insulation: ohm min.	$10^9$
Leak rate: $1.3 \times \text{Pa} \cdot \text{m}^3/\text{s}$	$10^{-10}$
Temperature Range: °C*	-196 to 300

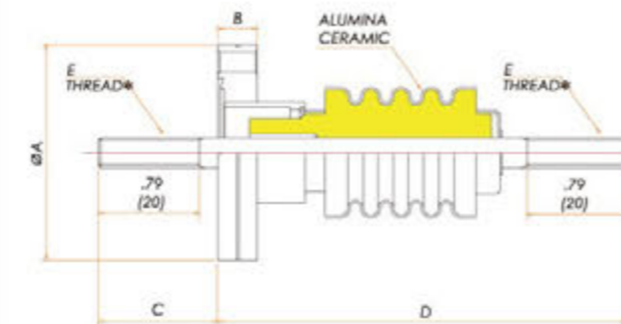
\*Temperature range will be changed depends on the connection.

## NW / KF Flange



\*Provided with nuts and washers.

## ConFlat® Flange



\*Provided with nuts and washers.

Dimensions in inches (mm)

## NW / KF Flange

No. of Pins	INSTALLATION	AMPS	CONDUCTOR MATERIAL	A	B	C	D	E	REFERENCE	PART NUMBER
1	NW / KF 50	808	Copper	2.95 (75)	.24 (6)	.89 (22.5)	3.25 (82.5)	M25	N510K808ACU1	11559
1	NW / KF 50	124	304 Stn. Stl.	2.95 (75)	.24 (6)	.89 (22.5)	3.25 (82.5)	M25	N510K124ASS1	11558

## ConFlat® Flange

No. of Pins	INSTALLATION	AMPS	CONDUCTOR MATERIAL	A	B	C	D	E	REFERENCE	PART NUMBER
1	CF 4.50	808	Copper	4.50 (114)	.69 (17.5)	.90 (23)	3.23 (82)	M25	C310K808ACU1	11262
1	CF 4.50	124	304 Stn. Stl.	4.50 (114)	.69 (17.5)	.90 (23)	3.23 (82)	M25	C310K124ASS1	11261



C230K145ACU1 [11245]

## Features

### High Voltage and High Current

The High Voltage and High Current series is used for high power, heaters and lamps.

Voltage is offered from 3 to 30 kV DC, current is offered from 3 to 808 A.

Available conductor materials include oxygen-free copper, nickel-plated oxygen-free copper and stainless steel.

Select the most suitable feedthrough from a wide variety of products.

Several types of conductor shape are offered, such as straight type, screw type for convenience, and the type compatible with silicon insulation plugs for safety.

Select flange size and type from NW / KF, ConFlat®, ISO-K, ISO-F and ASA.

Accessories are also available, including vacuum and air side socket contacts and silicon insulation plugs.

We also manufacture custom-made products with quick delivery. Select welding position, number of connectors, and size of custom-made flanges.

## Materials

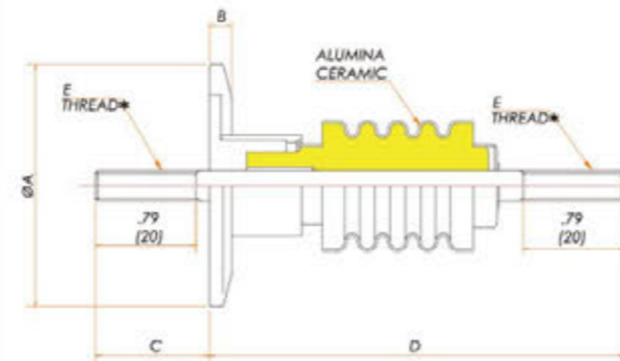
Flange	304 Stainless steel
Adapter	304 Stainless steel
Conductor	See table
Insulation	Alumina ceramic

## Specifications

Type	Feedthrough
Connector	30 kV / to 145 Amps
Voltage: V max. DC	30,000
Current: A Per Pins	to 145
Insulation: ohm min.	$10^9$
Leak rate: $1.3 \times \text{Pa} \cdot \text{m}^3/\text{s}$	$10^{-10}$
Temperature Range: °C*	-196 to 300

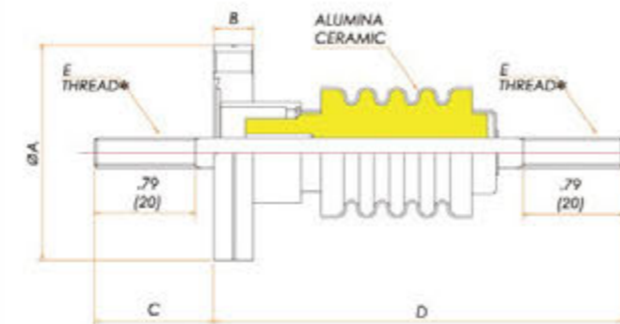
\*Temperature range will be changed depends on the connection.

## NW / KF Flange



\*Provided with nuts and washers.

## ConFlat® Flange



\*Provided with nuts and washers.

Dimensions in inches (mm)

## NW / KF Flange

No. of Pins	INSTALLATION	AMPS	CONDUCTOR MATERIAL	A	B	C	D	E	REFERENCE	PART NUMBER
1	NW / KF 40	145	Copper	2.16 (55)	.24 (6)	.89 (22.5)	5.61 (142.5)	M6	N430K145ACU1	11548
1	NW / KF 40	22	304 Stn. Stl.	2.16 (55)	.24 (6)	.89 (22.5)	5.61 (142.5)	M6	N430K22ASS1	11549

## ConFlat® Flange

No. of Pins	INSTALLATION	AMPS	CONDUCTOR MATERIAL	A	B	C	D	E	REFERENCE	PART NUMBER
1	CF 2.75	145	Copper	2.75 (70)	.50 (12.7)	.90 (23)	5.59 (142)	M6	C230K145ACU1	11245
1	CF 2.75	22	304 Stn. Stl.	2.75 (70)	.50 (12.7)	.90 (23)	5.59 (142)	M6	C230K22ASS1	11246





C230K145ACU1 [11245]

## Features

### High Voltage and High Current

The High Voltage and High Current series is used for high power, heaters and lamps.

Voltage is offered from 3 to 30 kV DC, current is offered from 3 to 808 A.

Available conductor materials include oxygen-free copper, nickel-plated oxygen-free copper and stainless steel.

Select the most suitable feedthrough from a wide variety of products.

Several types of conductor shape are offered, such as straight type, screw type for convenience, and the type compatible with silicon insulation plugs for safety.

Select flange size and type from NW / KF, ConFlat®, ISO-K, ISO-F and ASA.

Accessories are also available, including vacuum and air side socket contacts and silicon insulation plugs.

We also manufacture custom-made products with quick delivery. Select welding position, number of connectors, and size of custom-made flanges.

## Materials

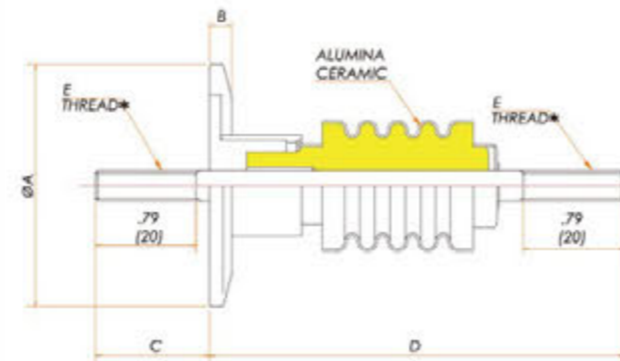
Flange	304 Stainless steel
Adapter	304 Stainless steel
Conductor	See table
Insulation	Alumina ceramic

## Specifications

Type	Feedthrough
Connector	30 kV / to 476 Amps
Voltage: V max. DC	30,000
Current: A Per Pins	to 476
Insulation: ohm min.	$10^9$
Leak rate: $1.3 \times \text{Pa} \cdot \text{m}^3/\text{s}$	$10^{-10}$
Temperature Range: °C*	-196 to 300

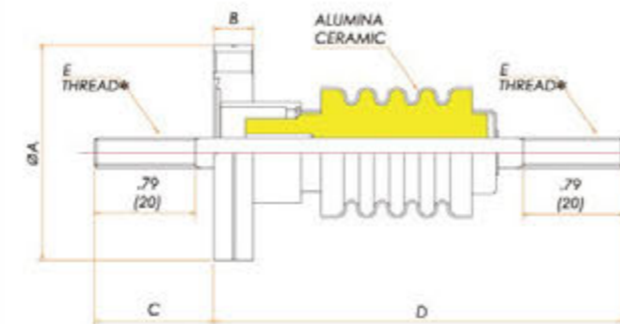
\*Temperature range will be changed depends on the connection.

## NW / KF Flange



\*Provided with nuts and washers.

## ConFlat® Flange



\*Provided with nuts and washers.

Dimensions in inches (mm)

## NW / KF Flange

No. of Pins	INSTALLATION	AMPS	CONDUCTOR MATERIAL	A	B	C	D	E	REFERENCE	PART NUMBER
1	NW / KF 50	476	Copper	2.95 (75)	.24 (6)	.89 (22.5)	5.61 (142.5)	M16	N530K476ACU1	11560
1	NW / KF 50	73	304 Stn. Stl.	2.95 (75)	.24 (6)	.89 (22.5)	5.61 (142.5)	M16	N530K73ASS1	11561

## ConFlat® Flange

No. of Pins	INSTALLATION	AMPS	CONDUCTOR MATERIAL	A	B	C	D	E	REFERENCE	PART NUMBER
1	CF 4.50	476	Copper	4.50 (114)	.69 (17.5)	.90 (23)	5.59 (142)	M16	C330K476ACU1	11264
1	CF 4.50	73	304 Stn. Stl.	4.50 (114)	.69 (17.5)	.90 (23)	5.59 (142)	M16	C330K73ASS1	11265



C230K145ACU1 [11245]

### Features

#### High Voltage and High Current

The High Voltage and High Current series is used for high power, heaters and lamps.

Voltage is offered from 3 to 30 kV DC, current is offered from 3 to 808 A.

Available conductor materials include oxygen-free copper, nickel-plated oxygen-free copper and stainless steel.

Select the most suitable feedthrough from a wide variety of products.

Several types of conductor shape are offered, such as straight type, screw type for convenience, and the type compatible with silicon insulation plugs for safety.

Select flange size and type from NW / KF, ConFlat®, ISO-K, ISO-F and ASA.

Accessories are also available, including vacuum and air side socket contacts and silicon insulation plugs.

We also manufacture custom-made products with quick delivery. Select welding position, number of connectors, and size of custom-made flanges.

### Materials

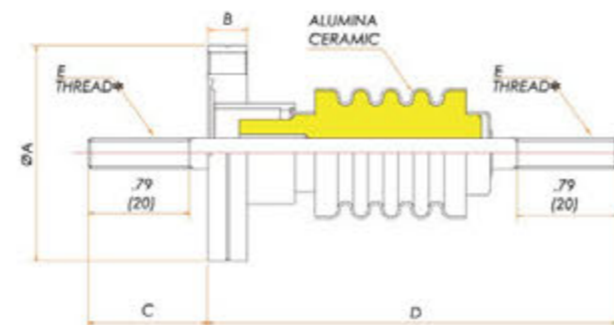
Flange	304 Stainless steel
Adapter	304 Stainless steel
Conductor	See table
Insulation	Alumina ceramic

### Specifications

Type	Feedthrough
Connector	30 kV / to 808 Amps
Voltage: V max. DC	30,000
Current: A Per Pins	to 808
Insulation: ohm min.	10 <sup>9</sup>
Leak rate: 1.3×Pa · m <sup>3</sup> /s	10 <sup>-10</sup>
Temperature Range: °C*	-196 to 300

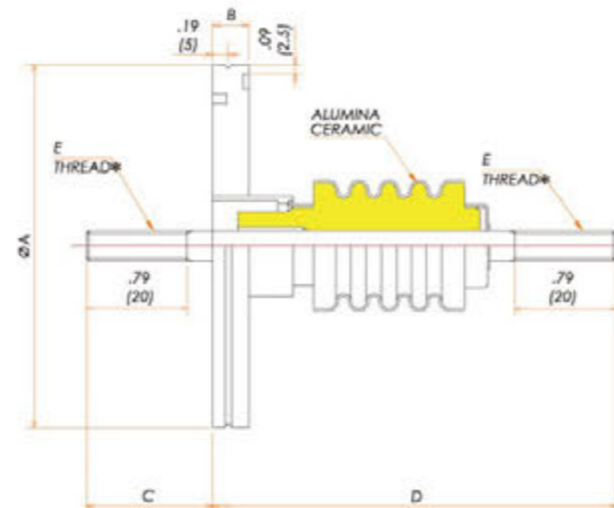
\*Temperature range will be changed depends on the connection.

### ConFlat® Flange



\*Provided with nuts and washers.

### ISO-K Flange



\*Provided with nuts and washers.

Dimensions in inches (mm)

### ConFlat® Flange

No. of Pins	INSTALLATION	AMPS	CONDUCTOR MATERIAL	A	B	C	D	E	REFERENCE	PART NUMBER
1	CF 4.50	808	Copper	4.50 (114)	.69 (17.5)	.90 (23)	5.59 (142)	M25	C330K808ACU1	11266
1	CF 4.50	124	304 Stn. Stl.	4.50 (114)	.69 (17.5)	.90 (23)	5.59 (142)	M25	C330K124ASS1	11263

### ISO-K Flange

No. of Pins	INSTALLATION	AMPS	CONDUCTOR MATERIAL	A	B	C	D	E	REFERENCE	PART NUMBER
1	ISO-K 63	808	Copper	3.74 (95)	.472 (12)	.99 (25)	5.52 (140)	M25	I130K808ACU1	11564
1	ISO-K 63	124	304 Stn. Stl.	3.74 (95)	.472 (12)	.99 (25)	5.52 (140)	M25	I130K124ASS1	11565