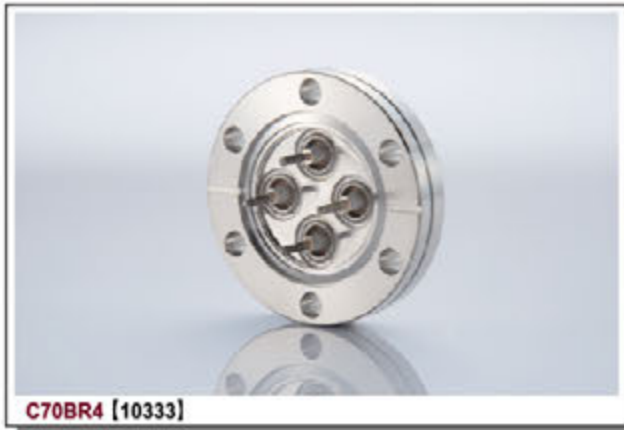




Coaxial Introduction		17 to 18
Section 1.1	BNC Series	19 to 28
Section 1.2	SHV Series	29 to 36
Section 1.3	MHV Series	37 to 44
Section 1.4	N Series	45 to 52
Section 1.5	SMA Series	53 to 60
Section 1.6	LEMO Series	61 to 68





C70BR4 [10333]

Features

BNC (Bayonet Naval Connectors)

The BNC series is coaxial transmission connectors and is rated to 1 kV 3 A.

The BNC series is offered in single- and double-ended type grounded shields, single- and double-ended type floating shields and 5 kV high power type.

Select flange size and type from NW / KF, ConFlat®, ISO-K, ISO-F, and ASA.

Accessories are available, including vacuum side socket contacts, in-vacuum cable assemblies, and air side plugs.

We also manufacture custom-made products with quick delivery. Select welding position, number of connectors, and size of custom-made flanges.

Materials

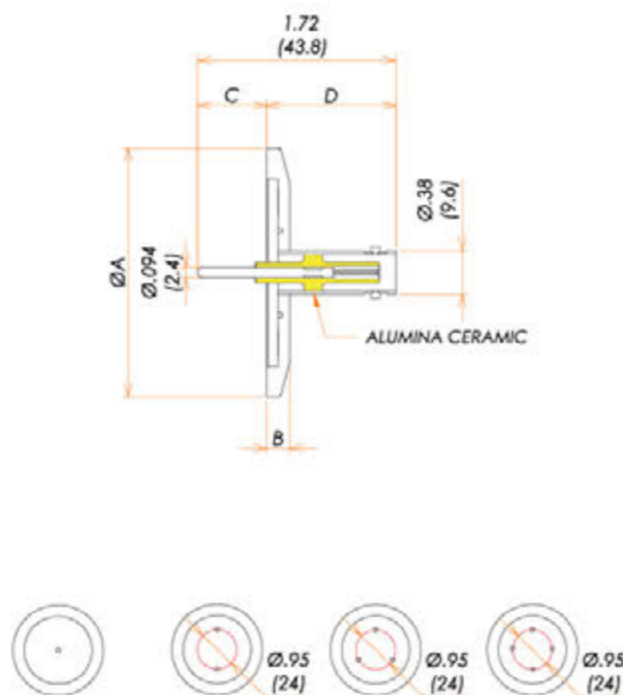
Flange	304 Stainless steel
Shell	Kovar®
Pins	Kovar®
Insulation	Alumina ceramic

Specifications

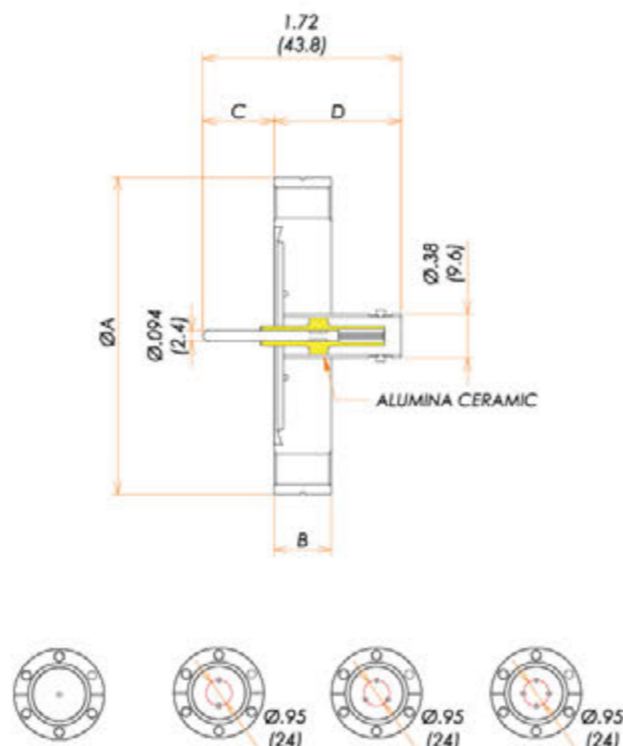
Type	Coaxial
Connector	BNC-R
Voltage: V max. DC	1,000
Current: A max.	3
Insulation: ohm min.	10 ⁹
Frequency: MHz	DC to 100
Impedance: ohm	50
Leak rate: 1.3×Pa · m³/s	10 ⁻¹⁰
Temperature Range: °C*	-196 to 300

*Temperature range will be changed depends on the connection.

NW / KF Flange



ConFlat® Flange



Dimensions in inches (mm)

NW / KF Flange						REFERENCE	PART NUMBER
No. of Pins	INSTALLATION	A	B	C	D		
1	NW / KF 16	1.18 (30)	.24 (6)	.60 (15.3)	1.12 (28.5)	N16BR1	10319
1	NW / KF 25	1.57 (40)	.24 (6)	.60 (15.3)	1.12 (28.5)	N25BR1	10280
1	NW / KF 40	2.16 (55)	.24 (6)	.60 (15.3)	1.12 (28.5)	N40BR1	10298
2	NW / KF 40	2.16 (55)	.24 (6)	.60 (15.3)	1.12 (28.5)	N40BR2	10116
3	NW / KF 40	2.16 (55)	.24 (6)	.60 (15.3)	1.12 (28.5)	N40BR3	10297
4	NW / KF 40	2.16 (55)	.24 (6)	.60 (15.3)	1.12 (28.5)	N40BR4	10117

ConFlat® Flange

ConFlat® Flange						REFERENCE	PART NUMBER
No. of Pins	INSTALLATION	A	B	C	D		
1	CF 1.33	1.33 (34)	.30 (7.5)	.62 (15.8)	1.10 (28)	C34BR1	10338
1	CF 2.75	2.75 (70)	.50 (12.7)	.62 (15.8)	1.10 (28)	C70BR1	10291
2	CF 2.75	2.75 (70)	.50 (12.7)	.62 (15.8)	1.10 (28)	C70BR2	10039
3	CF 2.75	2.75 (70)	.50 (12.7)	.62 (15.8)	1.10 (28)	C70BR3	10300
4	CF 2.75	2.75 (70)	.50 (12.7)	.62 (15.8)	1.10 (28)	C70BR4	10333

Accessories

Description	REFERENCE	PART NUMBER
BNC-R In-Vacuum Cable Assembly 19"/X	VCA500BR/X	11813
BNC-R In-Vacuum Cable Assembly 39"/X	VCA1000BR/X	11828
.094 Socket Contact Set Screw Vacuum Side	SVC24S	10152
BNC Air Side Plug	ASP-BNC	10017

For more details, see Section 6.1



Features

BNC (Bayonet Naval Connectors)

The BNC series is coaxial transmission connectors and is rated to 1 kV 3 A.
The BNC series is offered in single- and double-ended type grounded shields, single- and double-ended type floating shields and 5 kV high power type.
Select flange size and type from NW / KF, ConFlat®, ISO-K, ISO-F, and ASA.
Accessories are available, including vacuum side socket contacts, in-vacuum cable assemblies, and air side plugs.
We also manufacture custom-made products with quick delivery.
Select welding position, number of connectors, and size of custom-made flanges.

Materials

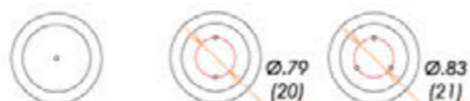
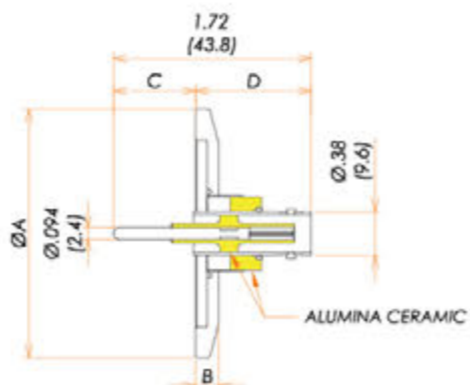
Flange	304 Stainless steel
Shell	Kovar®
Pins	Kovar®
Insulation	Alumina ceramic

Specifications

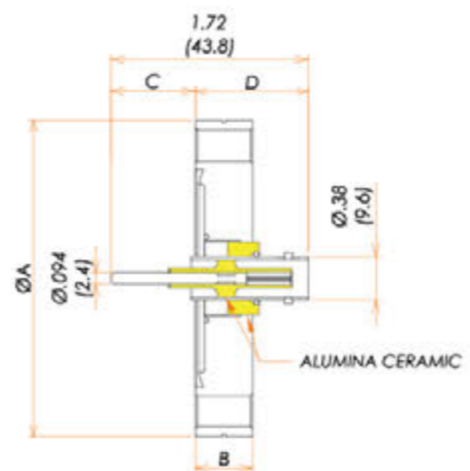
Type	Coaxial-floating
Connector	BNC-R-F
Voltage: V max. DC	1,000
Current: A max.	3
Insulation: ohm min.	10 ⁹
Frequency: MHz	DC to 100
Impedance: ohm	50
Leak rate: 1.3×Pa · m³/s	10 ⁻¹⁰
Temperature Range: °C*	-196 to 300

*Temperature range will be changed depends on the connection.

NW / KF Flange



ConFlat® Flange



Dimensions in inches (mm)

NW / KF Flange

No. of Pins	INSTALLATION	A	B	C	D	REFERENCE	PART NUMBER
1	NW / KF 16	1.18 (30)	.24 (6)	.42 (10.8)	1.30 (33)	N16BRF1	11045
1	NW / KF 25	1.57 (40)	.24 (6)	.72 (18.3)	1.00 (25.5)	N25BRF1	11069
1	NW / KF 40	2.16 (55)	.24 (6)	.72 (18.3)	1.00 (25.5)	N40BRF1	10309
2	NW / KF 40	2.16 (55)	.24 (6)	.72 (18.3)	1.00 (25.5)	N40BRF2	11114
3	NW / KF 40	2.16 (55)	.24 (6)	.72 (18.3)	1.00 (25.5)	N40BRF3	10308

ConFlat® Flange

No. of Pins	INSTALLATION	A	B	C	D	REFERENCE	PART NUMBER
1	CF 1.33	1.33 (34)	.30 (7.5)	.28 (7.2)	1.44 (36.6)	C34BRF1	10025
1	CF 2.75	2.75 (70)	.50 (12.7)	.74 (18.8)	.98 (25)	C70BRF1	10234
2	CF 2.75	2.75 (70)	.50 (12.7)	.74 (18.8)	.98 (25)	C70BRF2	10240
3	CF 2.75	2.75 (70)	.50 (12.7)	.74 (18.8)	.98 (25)	C70BRF3	10318

Accessories

Description	REFERENCE	PART NUMBER
.094 Socket Contact Set Screw Vacuum Side	SVC24S	10152
BNC Air Side Plug	ASP-BNC	10017

For more details, see Section 6.1



C70BR4 [10333]

Features

BNC (Bayonet Naval Connectors)

The BNC series is coaxial transmission connectors and is rated to 1 kV 3 A.

The BNC series is offered in single- and double-ended type grounded shields, single- and double-ended type floating shields and 5 kV high power type.

Select flange size and type from NW / KF, ConFlat®, ISO-K, ISO-F, and ASA.

Accessories are available, including vacuum side socket contacts, in-vacuum cable assemblies, and air side plugs.

We also manufacture custom-made products with quick delivery. Select welding position, number of connectors, and size of custom-made flanges.

Materials

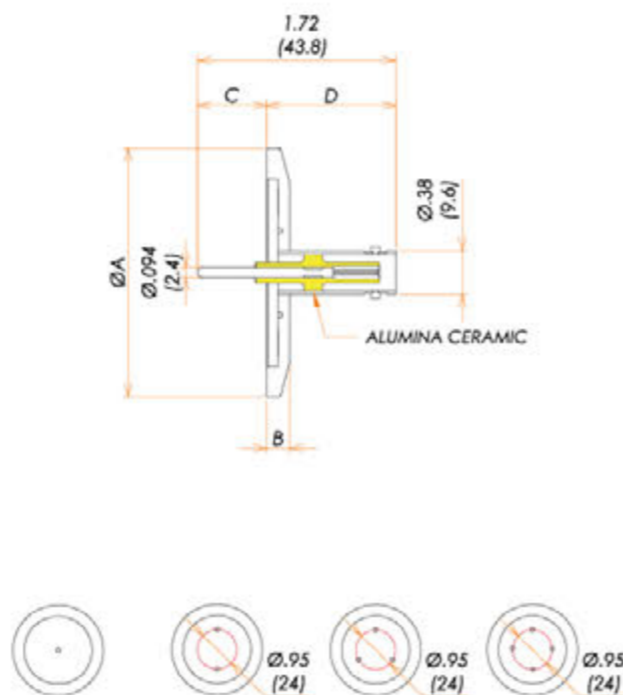
Flange	304 Stainless steel
Shell	Kovar®
Pins	Kovar®
Insulation	Alumina ceramic

Specifications

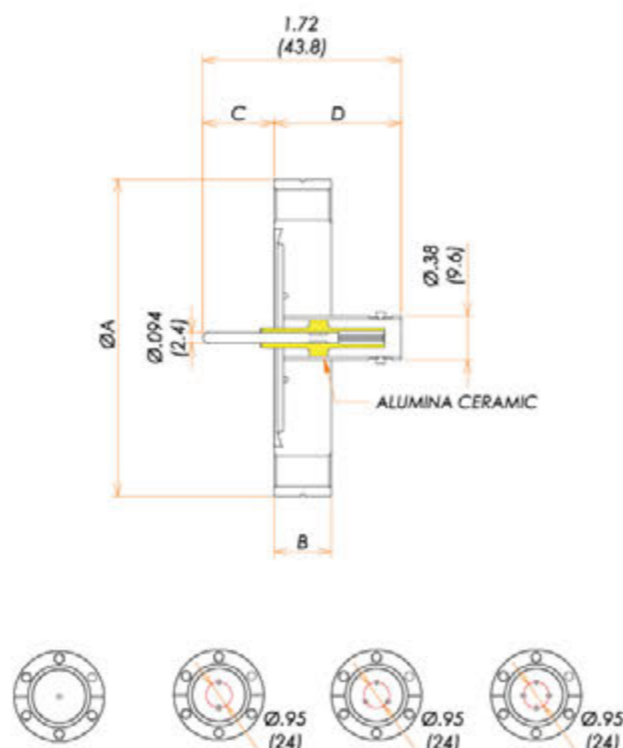
Type	Coaxial
Connector	BNC-R
Voltage: V max. DC	1,000
Current: A max.	3
Insulation: ohm min.	10 ⁹
Frequency: MHz	DC to 100
Impedance: ohm	50
Leak rate: 1.3×Pa · m³/s	10 ⁻¹⁰
Temperature Range: °C*	-196 to 300

*Temperature range will be changed depends on the connection.

NW / KF Flange



ConFlat® Flange



Dimensions in inches (mm)

NW / KF Flange

No. of Pins	INSTALLATION	A	B	C	D	REFERENCE	PART NUMBER
1	NW / KF 16	1.18 (30)	.24 (6)	.60 (15.3)	1.12 (28.5)	N16BR1	10319
1	NW / KF 25	1.57 (40)	.24 (6)	.60 (15.3)	1.12 (28.5)	N25BR1	10280
1	NW / KF 40	2.16 (55)	.24 (6)	.60 (15.3)	1.12 (28.5)	N40BR1	10298
2	NW / KF 40	2.16 (55)	.24 (6)	.60 (15.3)	1.12 (28.5)	N40BR2	10116
3	NW / KF 40	2.16 (55)	.24 (6)	.60 (15.3)	1.12 (28.5)	N40BR3	10297
4	NW / KF 40	2.16 (55)	.24 (6)	.60 (15.3)	1.12 (28.5)	N40BR4	10117

ConFlat® Flange

No. of Pins	INSTALLATION	A	B	C	D	REFERENCE	PART NUMBER
1	CF 1.33	1.33 (34)	.30 (7.5)	.62 (15.8)	1.10 (28)	C34BR1	10338
1	CF 2.75	2.75 (70)	.50 (12.7)	.62 (15.8)	1.10 (28)	C70BR1	10291
2	CF 2.75	2.75 (70)	.50 (12.7)	.62 (15.8)	1.10 (28)	C70BR2	10039
3	CF 2.75	2.75 (70)	.50 (12.7)	.62 (15.8)	1.10 (28)	C70BR3	10300
4	CF 2.75	2.75 (70)	.50 (12.7)	.62 (15.8)	1.10 (28)	C70BR4	10333

Accessories

Description	REFERENCE	PART NUMBER
BNC-R In-Vacuum Cable Assembly 19"/X	VCA500BR/X	11813
BNC-R In-Vacuum Cable Assembly 39"/X	VCA1000BR/X	11828
.094 Socket Contact Set Screw Vacuum Side	SVC24S	10152
BNC Air Side Plug	ASP-BNC	10017

For more details, see Section 6.1



Features

BNC (Bayonet Naval Connectors)

The BNC series is coaxial transmission connectors and is rated to 1 kV 3 A.
The BNC series is offered in single- and double-ended type grounded shields, single- and double-ended type floating shields and 5 kV high power type.
Select flange size and type from NW / KF, ConFlat®, ISO-K, ISO-F, and ASA.
Accessories are available, including vacuum side socket contacts, in-vacuum cable assemblies, and air side plugs.
We also manufacture custom-made products with quick delivery.
Select welding position, number of connectors, and size of custom-made flanges.

Materials

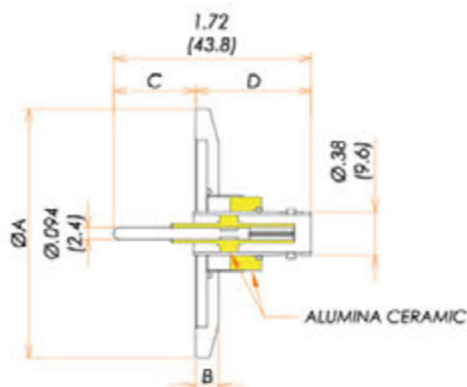
Flange	304 Stainless steel
Shell	Kovar®
Pins	Kovar®
Insulation	Alumina ceramic

Specifications

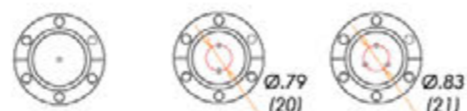
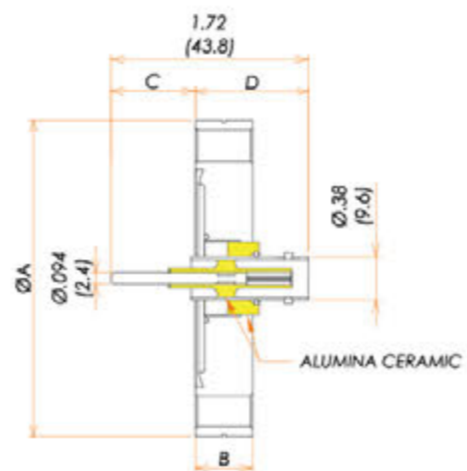
Type	Coaxial-floating
Connector	BNC-R-F
Voltage: V max. DC	1,000
Current: A max.	3
Insulation: ohm min.	10 ⁹
Frequency: MHz	DC to 100
Impedance: ohm	50
Leak rate: 1.3×Pa · m ³ /s	10 ⁻¹⁰
Temperature Range: °C*	-196 to 300

*Temperature range will be changed depends on the connection.

NW / KF Flange



ConFlat® Flange



Dimensions in inches (mm)

NW / KF Flange							
No. of Pins	INSTALLATION	A	B	C	D	REFERENCE	PART NUMBER
1	NW / KF 16	1.18 (30)	.24 (6)	.42 (10.8)	1.30 (33)	N16BRF1	11045
1	NW / KF 25	1.57 (40)	.24 (6)	.72 (18.3)	1.00 (25.5)	N25BRF1	11069
1	NW / KF 40	2.16 (55)	.24 (6)	.72 (18.3)	1.00 (25.5)	N40BRF1	10309
2	NW / KF 40	2.16 (55)	.24 (6)	.72 (18.3)	1.00 (25.5)	N40BRF2	11114
3	NW / KF 40	2.16 (55)	.24 (6)	.72 (18.3)	1.00 (25.5)	N40BRF3	10308

ConFlat® Flange							
No. of Pins	INSTALLATION	A	B	C	D	REFERENCE	PART NUMBER
1	CF 1.33	1.33 (34)	.30 (7.5)	.28 (7.2)	1.44 (36.6)	C34BRF1	10025
1	CF 2.75	2.75 (70)	.50 (12.7)	.74 (18.8)	.98 (25)	C70BRF1	10234
2	CF 2.75	2.75 (70)	.50 (12.7)	.74 (18.8)	.98 (25)	C70BRF2	10240
3	CF 2.75	2.75 (70)	.50 (12.7)	.74 (18.8)	.98 (25)	C70BRF3	10318

Accessories		
Description	REFERENCE	PART NUMBER
.094 Socket Contact Set Screw Vacuum Side	SVC24S	10152
BNC Air Side Plug	ASP-BNC	10017

For more details, see Section 6.1



C70BJ3 [10304]

Features

■ BNC (Bayonet Naval Connectors)

The BNC series is coaxial transmission connectors and is rated to 1 kV 3 A.

The BNC series is offered in single- and double-ended type grounded shields, single- and double-ended type floating shields and 5 kV high power type.

Select flange size and type from NW / KF, ConFlat®, ISO-K, ISO-F, and ASA.

Accessories are available, including vacuum side socket contacts, in-vacuum cable assemblies, and air side plugs.

We also manufacture custom-made products with quick delivery. Select welding position, number of connectors, and size of custom-made flanges.

Materials

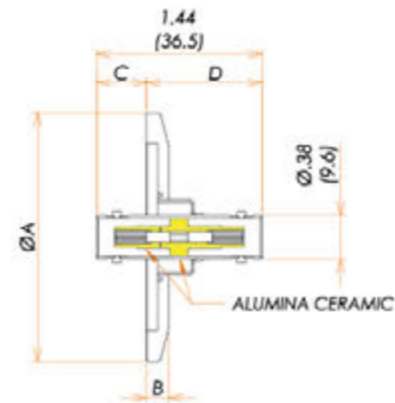
Flange	304 Stainless steel
Shell	Kovar®
Pins	Kovar®
Insulation	Alumina ceramic

Specifications

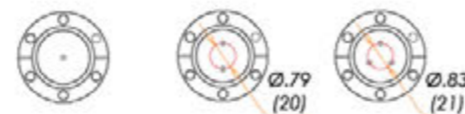
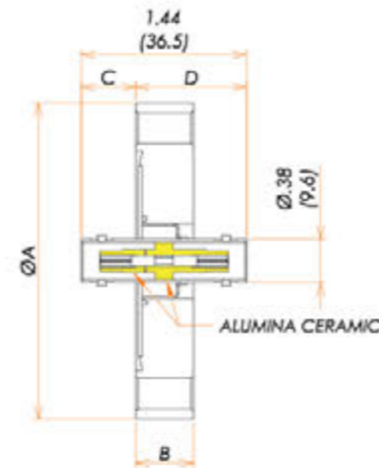
Type	Coaxial
Connector	BNC-JJ
Voltage: V max. DC	1,000
Current: A max.	3
Insulation: ohm min.	10 ⁹
Frequency: MHz	DC to 4,000
Impedance: ohm	50
Leak rate: 1.3×Pa · m ³ /s	10 ⁻¹⁰
Temperature Range: °C*	-196 to 300

*Temperature range will be changed depends on the connection.

NW / KF Flange



ConFlat® Flange



Dimensions in inches (mm)

NW / KF Flange

No. of Pins	INSTALLATION	A	B	C	D	REFERENCE	PART NUMBER
1	NW / KF 16	1.18 (30)	.24 (6)	.14 (3.5)	1.30 (33)	N16BJ1	10098
1	NW / KF 25	1.57 (40)	.24 (6)	.44 (11)	1.00 (25.5)	N25BJ1	10102
1	NW / KF 40	2.16 (55)	.24 (6)	.44 (11)	1.00 (25.5)	N40BJ1	10112
2	NW / KF 40	2.16 (55)	.24 (6)	.44 (11)	1.00 (25.5)	N40BJ2	10422
3	NW / KF 40	2.16 (55)	.24 (6)	.44 (11)	1.00 (25.5)	N40BJ3	10289

ConFlat® Flange

No. of Pins	INSTALLATION	A	B	C	D	REFERENCE	PART NUMBER
1	CF 1.33	1.33 (34)	.30 (7.5)	.01 (0.3)	1.43 (36.2)	C34BJ1	10023
1	CF 2.75	2.75 (70)	.50 (12.7)	.45 (11.5)	.99 (25)	C70BJ1	10035
2	CF 2.75	2.75 (70)	.50 (12.7)	.45 (11.5)	.99 (25)	C70BJ2	10227
3	CF 2.75	2.75 (70)	.50 (12.7)	.45 (11.5)	.99 (25)	C70BJ3	10304

Accessories

Description	REFERENCE	PART NUMBER
BNC-JJ In-Vacuum Cable Assembly 19"/X	VCA500BJ/X	12079
BNC-JJ In-Vacuum Cable Assembly 39"/X	VCA1000BJ/X	12081
BNC Air Side Plug	ASP-BNC	10017

For more details, see Section 6.1



Features

BNC (Bayonet Naval Connectors)

The BNC series is coaxial transmission connectors and is rated to 1 kV 3 A.
The BNC series is offered in single- and double-ended type grounded shields, single- and double-ended type floating shields and 5 kV high power type.
Select flange size and type from NW / KF, ConFlat®, ISO-K, ISO-F, and ASA.
Accessories are available, including vacuum side socket contacts, in-vacuum cable assemblies, and air side plugs.
We also manufacture custom-made products with quick delivery.
Select welding position, number of connectors, and size of custom-made flanges.

Materials

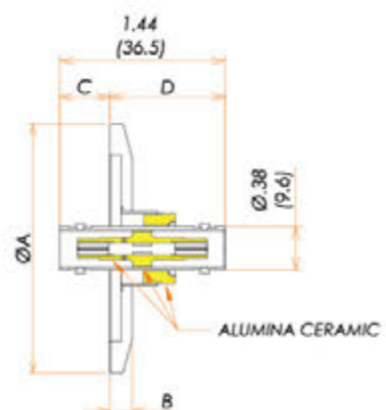
Flange	304 Stainless steel
Shell	Kovar®
Pins	Kovar®
Insulation	Alumina ceramic

Specifications

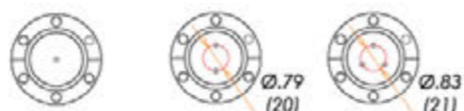
Type	Coaxial-floating
Connector	BNC-JJ-F
Voltage: V max. DC	1,000
Current: A max.	3
Insulation: ohm min.	10 ⁹
Frequency: MHz	DC to 4,000
Impedance: ohm	50
Leak rate: 1.3×Pa · m³/s	10 ⁻¹⁰
Temperature Range: °C*	-196 to 300

*Temperature range will be changed depends on the connection.

NW / KF Flange



ConFlat® Flange



Dimensions in inches (mm)

NW / KF Flange

No. of Pins	INSTALLATION	A	B	C	D	REFERENCE	PART NUMBER
1	NW / KF 16	1.18 (30)	.24 (6)	.14 (3.5)	1.30 (33)	N16BJF1	10199
1	NW / KF 25	1.57 (40)	.24 (6)	.44 (11)	1.00 (25.5)	N25BJF1	10310
1	NW / KF 40	2.16 (55)	.24 (6)	.44 (11)	1.00 (25.5)	N40BJF1	10113
2	NW / KF 40	2.16 (55)	.24 (6)	.44 (11)	1.00 (25.5)	N40BJF2	10114
3	NW / KF 40	2.16 (55)	.24 (6)	.44 (11)	1.00 (25.5)	N40BJF3	10115

ConFlat® Flange

No. of Pins	INSTALLATION	A	B	C	D	REFERENCE	PART NUMBER
1	CF 1.33	1.33 (34)	.30 (7.5)	.01 (0.3)	1.43 (36.2)	C34BJF1	10024
1	CF 2.75	2.75 (70)	.50 (12.7)	.45 (11.5)	.99 (25)	C70BJF1	10036
2	CF 2.75	2.75 (70)	.50 (12.7)	.45 (11.5)	.99 (25)	C70BJF2	10037
3	CF 2.75	2.75 (70)	.50 (12.7)	.45 (11.5)	.99 (25)	C70BJF3	10038

Accessories

Description	REFERENCE	PART NUMBER
BNC-JJ-F In-Vacuum Cable Assembly 19"/X	VCA500BJF/X	12079
BNC-JJ-F In-Vacuum Cable Assembly 39"/X	VCA1000BJF/X	12081
BNC Air Side Plug	ASP-BNC	10017

For more details, see Section 6.1



N255BR1 [10208]

Features

■ BNC (Bayonet Naval Connectors)

The BNC series is coaxial transmission connectors and is rated to 1 kV 3 A.

The BNC series is offered in single- and double-ended type grounded shields, single- and double-ended type floating shields and 5 kV high power type.

Select flange size and type from NW / KF, ConFlat®, ISO-K, ISO-F, and ASA.

Accessories are available, including vacuum side socket contacts, in-vacuum cable assemblies, and air side plugs.

We also manufacture custom-made products with quick delivery. Select welding position, number of connectors, and size of custom-made flanges.

Materials

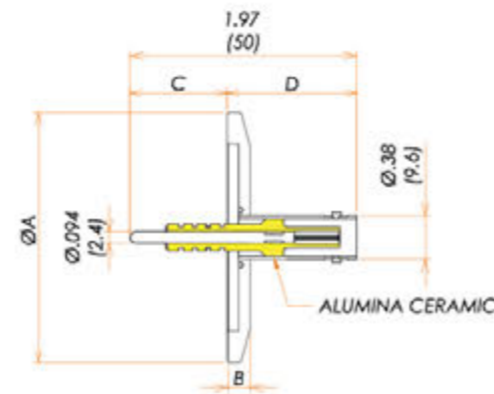
Flange	304 Stainless steel
Shell	Kovar®
Pins	Kovar®
Insulation	Alumina ceramic

Specifications

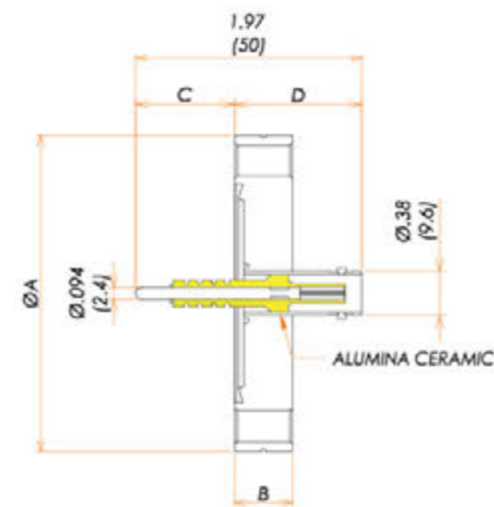
Type	Coaxial
Connector	5 kV-BNC-R
Voltage: V max. DC	5,000
Current: A max.	3
Insulation: ohm min.	10 ⁹
Frequency: MHz	DC or AC 100 (10MHz)max.
Impedance: ohm	50
Leak rate: 1.3×Pa · m ³ /s	10 ⁻¹⁰
Temperature Range: °C*	-196 to 300

*Temperature range will be changed depends on the connection.

NW / KF Flange



ConFlat® Flange



Dimensions in inches (mm)

NW / KF Flange

No. of Pins	INSTALLATION	A	B	C	D	REFERENCE	PART NUMBER
1	NW / KF 16	1.18 (30)	.24 (6)	.85 (21.5)	1.12 (28.5)	N165BR1	11044
1	NW / KF 25	1.57 (40)	.24 (6)	.85 (21.5)	1.12 (28.5)	N255BR1	10208
1	NW / KF 40	2.16 (55)	.24 (6)	.85 (21.5)	1.12 (28.5)	N405BR1	11105
2	NW / KF 40	2.16 (55)	.24 (6)	.85 (21.5)	1.12 (28.5)	N405BR2	11106
3	NW / KF 40	2.16 (55)	.24 (6)	.85 (21.5)	1.12 (28.5)	N405BR3	11107
4	NW / KF 40	2.16 (55)	.24 (6)	.85 (21.5)	1.12 (28.5)	N405BR4	11110

ConFlat® Flange

No. of Pins	INSTALLATION	A	B	C	D	REFERENCE	PART NUMBER
1	CF 1.33	1.33 (34)	.30 (7.5)	.87 (22)	1.11 (28)	C345BR1	10615
1	CF 2.75	2.75 (70)	.50 (12.7)	.87 (22)	1.11 (28)	C705BR1	10653
2	CF 2.75	2.75 (70)	.50 (12.7)	.87 (22)	1.11 (28)	C705BR2	10654
3	CF 2.75	2.75 (70)	.50 (12.7)	.87 (22)	1.11 (28)	C705BR3	10655
4	CF 2.75	2.75 (70)	.50 (12.7)	.87 (22)	1.11 (28)	C705BR4	10656

Accessories

Description	REFERENCE	PART NUMBER
.094 Socket Contact Set Screw Vacuum Side	SVC24S	10152
BNC 5 kV Air Side Plug	ASP-BNC5KV	10001

For more details, see Section 6.1



Features

■ **SHV (Safe High Voltage)**

The SHV series is coaxial transmission connectors and is rated to 5 kV 3 A.

The SHV series is offered in single- and double-ended type grounded shields and single- and double-ended type floating shields.

Select flange size and type from NW / KF, ConFlat®, ISO-K, ISO-F and ASA.

Accessories are available, including vacuum side socket contacts, in-vacuum cable assemblies, and air side plugs.

We also manufacture custom-made products with quick delivery. Select welding position, number of connectors, and size of custom-made flanges.

Materials

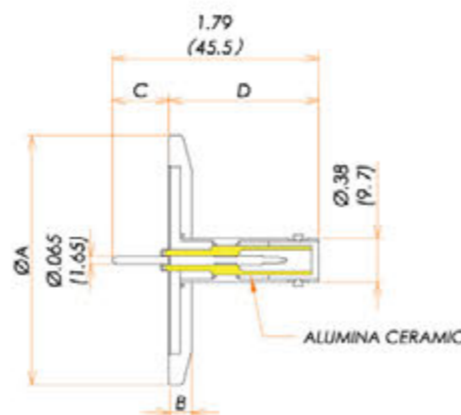
Flange	304 Stainless steel
Shell	Kovar®
Pins	Kovar®
Insulation	Alumina ceramic

Specifications

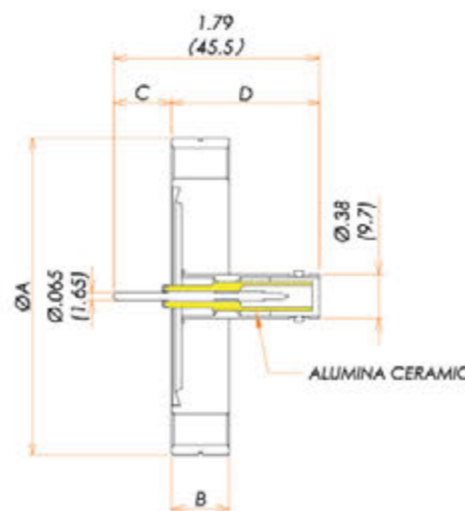
Type	Coaxial
Connector	SHV-R
Voltage: V max. DC	5,000
Current: A max.	3
Insulation: ohm min.	10 ⁹
Frequency: MHz	DC or AC 100 (MHz)max.
Impedance: ohm	50
Leak rate: 1.3×Pa · m³/s	10 ⁻¹⁰
Temperature Range: °C*	-196 to 300

*Temperature range will be changed depends on the connection.

NW / KF Flange



ConFlat® Flange



Dimensions in inches (mm)

NW / KF Flange

No. of Pins	INSTALLATION	A	B	C	D	REFERENCE	PART NUMBER
1	NW / KF 16	1.18 (30)	.24 (6)	.49 (12.5)	1.30 (33)	N16SHR1	10430
1	NW / KF 25	1.58 (40)	.24 (6)	.49 (12.5)	1.30 (33)	N25SHR1	10431
1	NW / KF 40	2.16 (55)	.24 (6)	.49 (12.5)	1.30 (33)	N40SHR1	10197
2	NW / KF 40	2.16 (55)	.24 (6)	.49 (12.5)	1.30 (33)	N40SHR2	10228
3	NW / KF 40	2.16 (55)	.24 (6)	.49 (12.5)	1.30 (33)	N40SHR3	11178
4	NW / KF 40	2.16 (55)	.24 (6)	.49 (12.5)	1.30 (33)	N40SHR4	10235

ConFlat® Flange

No. of Pins	INSTALLATION	A	B	C	D	REFERENCE	PART NUMBER
1	CF 1.33	1.33 (34)	.30 (7.5)	.51 (13)	1.28 (32.5)	C34SHR1	10301
1	CF 2.75	2.75 (70)	.50 (12.7)	.51 (13)	1.28 (32.5)	C70SHR1	10436
2	CF 2.75	2.75 (70)	.50 (12.7)	.51 (13)	1.28 (32.5)	C70SHR2	10049
3	CF 2.75	2.75 (70)	.50 (12.7)	.51 (13)	1.28 (32.5)	C70SHR3	10239
4	CF 2.75	2.75 (70)	.50 (12.7)	.51 (13)	1.28 (32.5)	C70SHR4	10050

Accessories

Description	REFERENCE	PART NUMBER
SHV-R In-Vacuum Cable Assembly 19"/X	VCA500SHR/X	11814
SHV-R In-Vacuum Cable Assembly 39"/X	VCA1000SHR/X	11829
.062 Socket Contact Vacuum Side	SVC16	10147
SHV Air Side Plug	ASP-SHV	10002

For more details, see Section 6.1



C34SHRF1 [10633]

Features

■ SHV (Safe High Voltage)

The SHV series is coaxial transmission connectors and is rated to 5 kV 3 A.

The SHV series is offered in single- and double-ended type grounded shields and single- and double-ended type floating shields.

Select flange size and type from NW / KF, ConFlat®, ISO-K, ISO-F and ASA.

Accessories are available, including vacuum side socket contacts, in-vacuum cable assemblies, and air side plugs.

We also manufacture custom-made products with quick delivery. Select welding position, number of connectors, and size of custom-made flanges.

Materials

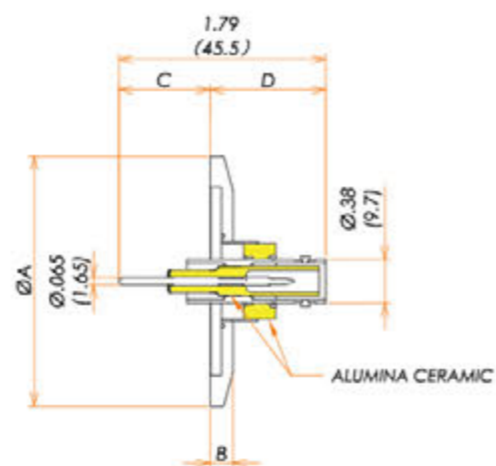
Flange	304 Stainless steel
Shell	Kovar®
Pins	Kovar®
Insulation	Alumina ceramic

Specifications

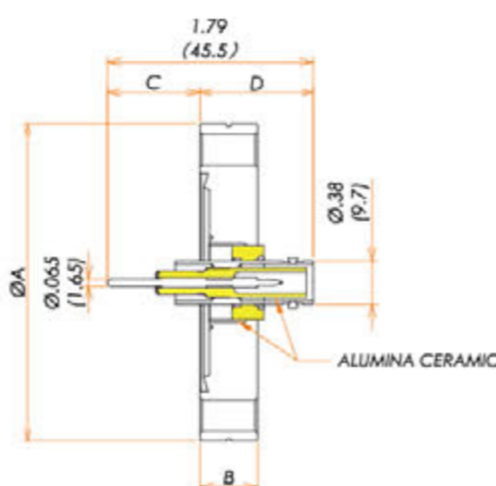
Type	Coaxial-floating
Connector	SHV-R-F
Voltage: V max. DC	5,000
Current: A max.	3
Insulation: ohm min.	10 ⁹
Frequency: MHz	DC or AC 100 (MHz)max.
Impedance: ohm	50
Leak rate: 1.3×Pa · m ³ /s	10 ⁻¹⁰
Temperature Range: °C*	-196 to 300

*Temperature range will be changed depends on the connection.

NW / KF Flange



ConFlat® Flange



Dimensions in inches (mm)

NW / KF Flange

No. of Pins	INSTALLATION	A	B	C	D	REFERENCE	PART NUMBER
1	NW / KF 16	1.18 (30)	.24 (6)	.49 (12.5)	1.30 (33)	N16SHRF1	11652
1	NW / KF 25	1.58 (40)	.24 (6)	.79 (20)	1.00 (25.5)	N25SHRF1	11093
1	NW / KF 40	2.16 (55)	.24 (6)	.79 (20)	1.00 (25.5)	N40SHRF1	11180
2	NW / KF 40	2.16 (55)	.24 (6)	.79 (20)	1.00 (25.5)	N40SHRF2	11181

ConFlat® Flange

No. of Pins	INSTALLATION	A	B	C	D	REFERENCE	PART NUMBER
1	CF 1.33	1.33 (34)	.30 (7.5)	.35 (8.9)	1.44 (36.6)	C34SHRF1	10633
1	CF 2.75	2.75 (70)	.50 (12.7)	.81 (20.5)	.98 (25)	C70SHRF1	10729
2	CF 2.75	2.75 (70)	.50 (12.7)	.81 (20.5)	.98 (25)	C70SHRF2	10730

Accessories

Description	REFERENCE	PART NUMBER
.062 Socket Contact Vacuum Side	SVC16	10147
SHV Air Side Plug	ASP-SHV	10002

For more details, see Section 6.1



C70SHJ2 [10325]

Features

■ SHV (Safe High Voltage)

The SHV series is coaxial transmission connectors and is rated to 5 kV 3 A.

The SHV series is offered in single- and double-ended type grounded shields and single- and double-ended type floating shields.

Select flange size and type from NW / KF, ConFlat®, ISO-K, ISO-F and ASA.

Accessories are available, including vacuum side socket contacts, in-vacuum cable assemblies, and air side plugs.

We also manufacture custom-made products with quick delivery. Select welding position, number of connectors, and size of custom-made flanges.

Materials

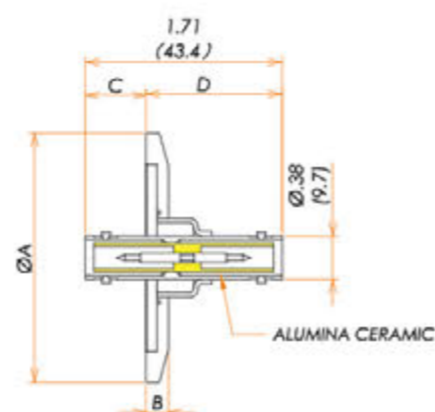
Flange	304 Stainless steel
Shell	Kovar®
Pins	Kovar®
Insulation	Alumina ceramic

Specifications

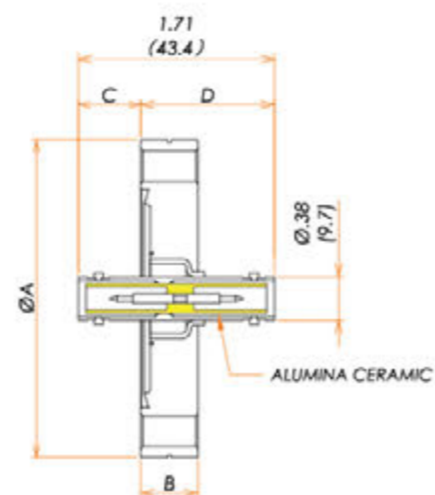
Type	Coaxial
Connector	SHV-JJ
Voltage: V max. DC	5,000
Current: A max.	3
Insulation: ohm min.	10 ⁹
Frequency: MHz	DC or AC 100 (MHz)max.
Impedance: ohm	50
Leak rate: 1.3×Pa · m ³ /s	10 ⁻¹⁰
Temperature Range: °C*	-196 to 300

*Temperature range will be changed depends on the connection.

NW / KF Flange



ConFlat® Flange



Dimensions in inches (mm)

NW / KF Flange

No. of Pins	INSTALLATION	A	B	C	D	REFERENCE	PART NUMBER
1	NW / KF 16	1.18 (30)	.24 (6)	.22 (5.5)	1.50 (37.9)	N16SHJ1	11660
1	NW / KF 25	1.58 (40)	.24 (6)	.51 (13)	1.20 (30.4)	N25SHJ1	11091
1	NW / KF 40	2.16 (55)	.24 (6)	.51 (13)	1.20 (30.4)	N40SHJ1	11174
2	NW / KF 40	2.16 (55)	.24 (6)	.51 (13)	1.20 (30.4)	N40SHJ2	10242

ConFlat® Flange

No. of Pins	INSTALLATION	A	B	C	D	REFERENCE	PART NUMBER
1	CF 1.33	1.33 (34)	.30 (7.5)	.09 (2.3)	1.62 (41.1)	C34SHJ1	10447
1	CF 2.75	2.75 (70)	.50 (12.7)	.53 (13.5)	1.18 (29.9)	C70SHJ1	10720
2	CF 2.75	2.75 (70)	.50 (12.7)	.53 (13.5)	1.18 (29.9)	C70SHJ2	10325

Accessories

Description	REFERENCE	PART NUMBER
SHV Air Side Plug	ASP-SHV	10002

For more details, see Section 6.1



C34SHJF1 [10439]

Features

■ **SHV (Safe High Voltage)**

The SHV series is coaxial transmission connectors and is rated to 5 kV 3 A.

The SHV series is offered in single- and double-ended type grounded shields and single- and double-ended type floating shields.

Select flange size and type from NW / KF, ConFlat®, ISO-K, ISO-F and ASA.

Accessories are available, including vacuum side socket contacts, in-vacuum cable assemblies, and air side plugs.

We also manufacture custom-made products with quick delivery. Select welding position, number of connectors, and size of custom-made flanges.

Materials

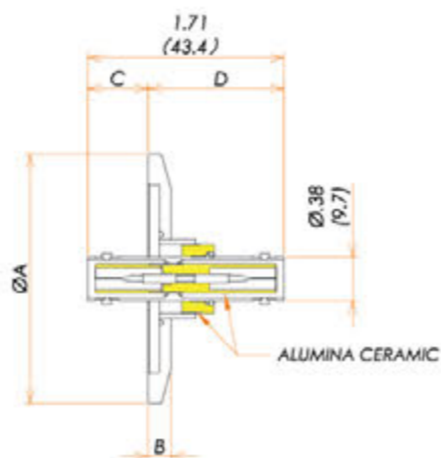
Flange	304 Stainless steel
Shell	Kovar®
Pins	Kovar®
Insulation	Alumina ceramic

Specifications

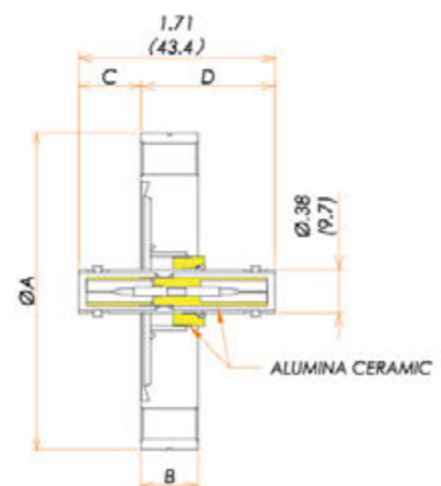
Type	Coaxial-floating
Connector	SHV-JJ-F
Voltage: V max. DC	5,000
Current: A max.	3
Insulation: ohm min.	10 ⁹
Frequency: MHz	DC or AC 100 (MHz)max.
Impedance: ohm	50
Leak rate: 1.3×Pa · m ³ /s	10 ⁻¹⁰
Temperature Range: °C*	-196 to 300

*Temperature range will be changed depends on the connection.

NW / KF Flange



ConFlat® Flange



Dimensions in inches (mm)

NW / KF Flange

No. of Pins	INSTALLATION	A	B	C	D	REFERENCE	PART NUMBER
1	NW / KF 16	1.18 (30)	.24 (6)	.23 (5.9)	1.48 (37.5)	N16SHJF1	11666
1	NW / KF 25	1.58 (40)	.24 (6)	.53 (13.4)	1.18 (30)	N25SHJF1	11092
1	NW / KF 40	2.16 (55)	.24 (6)	.53 (13.4)	1.18 (30)	N40SHJF1	11175
2	NW / KF 40	2.16 (55)	.24 (6)	.53 (13.4)	1.18 (30)	N40SHJF2	11176

ConFlat® Flange

No. of Pins	INSTALLATION	A	B	C	D	REFERENCE	PART NUMBER
1	CF 1.33	1.33 (34)	.30 (7.5)	.11 (2.7)	1.60 (40.7)	C34SHJF1	10439
1	CF 2.75	2.75 (70)	.50 (12.7)	.55 (13.9)	1.16 (29.5)	C70SHJF1	10721
2	CF 2.75	2.75 (70)	.50 (12.7)	.55 (13.9)	1.16 (29.5)	C70SHJF2	10723

Accessories

Description	REFERENCE	PART NUMBER
SHV Air Side Plug	ASP-SHV	10002

For more details, see Section 6.1



Features

MHV (Miniature High Voltage)

The MHV series is coaxial transmission connectors and is rated to 5 kV 3 A.

The MHV series is offered in single- and double-ended type grounded shields and in single- and double-ended type floating shields.

Select flange size and type from NW / KF, ConFlat®, ISO-K, ISO-F and ASA.

Accessories are available, including vacuum side socket contacts, in-vacuum cable assemblies, and air side plugs.

We also manufacture custom-made products with quick delivery. Select welding position, number of connectors, and size of custom-made flanges.

Materials

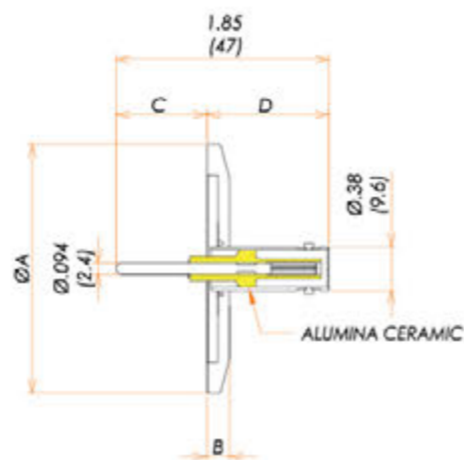
Flange	304 Stainless steel
Shell	Kovar®
Pins	Kovar®
Insulation	Alumina ceramic

Specifications

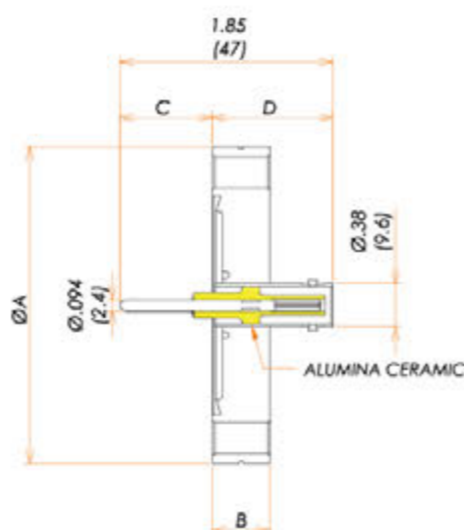
Type	Coaxial
Connector	MHV-R
Voltage: V max. DC	5,000
Current: A max.	3
Insulation: ohm min.	10 ⁹
Frequency: MHz	DC or AC 100 (MHz)max.
Impedance: ohm	50
Leak rate: 1.3×Pa · m ³ /s	10 ⁻¹⁰
Temperature Range: °C*	-196 to 300

*Temperature range will be changed depends on the connection.

NW / KF Flange



ConFlat® Flange



Dimensions in inches (mm)

NW / KF Flange						REFERENCE	PART NUMBER
No. of Pins	INSTALLATION	A	B	C	D		
1	NW / KF 16	1.18 (30)	.24 (6)	.73 (18.5)	1.12 (28.5)	N16MR1	10281
1	NW / KF 25	1.57 (40)	.24 (6)	.73 (18.5)	1.12 (28.5)	N25MR1	11088
1	NW / KF 40	2.16 (55)	.24 (6)	.73 (18.5)	1.12 (28.5)	N40MR1	11162
2	NW / KF 40	2.16 (55)	.24 (6)	.73 (18.5)	1.12 (28.5)	N40MR2	10233
3	NW / KF 40	2.16 (55)	.24 (6)	.73 (18.5)	1.12 (28.5)	N40MR3	11163
4	NW / KF 40	2.16 (55)	.24 (6)	.73 (18.5)	1.12 (28.5)	N40MR4	11164

ConFlat® Flange

ConFlat® Flange						REFERENCE	PART NUMBER
No. of Pins	INSTALLATION	A	B	C	D		
1	CF 1.33	1.33 (34)	.30 (7.5)	.75 (19)	1.10 (28)	C34MR1	10030
1	CF 2.75	2.75 (70)	.50 (12.7)	.75 (19)	1.10 (28)	C70MR1	10225
2	CF 2.75	2.75 (70)	.50 (12.7)	.75 (19)	1.10 (28)	C70MR2	10224
3	CF 2.75	2.75 (70)	.50 (12.7)	.75 (19)	1.10 (28)	C70MR3	10231
4	CF 2.75	2.75 (70)	.50 (12.7)	.75 (19)	1.10 (28)	C70MR4	10226

Accessories

Description	REFERENCE	PART NUMBER
MHV-R In-Vacuum Cable Assembly 19"/X	VCA500MR/X	11815
MHV-R In-Vacuum Cable Assembly 39"/X	VCA1000MR/X	11830
.094 Socket Contact Set Screw Vacuum Side	SVC24S	10152
MHV Air Side Plug	ASP-MHV	10001

For more details, see Section 6.1



Features

MHV (Miniature High Voltage)

The MHV series is coaxial transmission connectors and is rated to 5 kV 3 A.

The MHV series is offered in single- and double-ended type grounded shields and in single- and double-ended type floating shields.

Select flange size and type from NW / KF, ConFlat®, ISO-K, ISO-F and ASA.

Accessories are available, including vacuum side socket contacts, in-vacuum cable assemblies, and air side plugs.

We also manufacture custom-made products with quick delivery. Select welding position, number of connectors, and size of custom-made flanges.

Materials

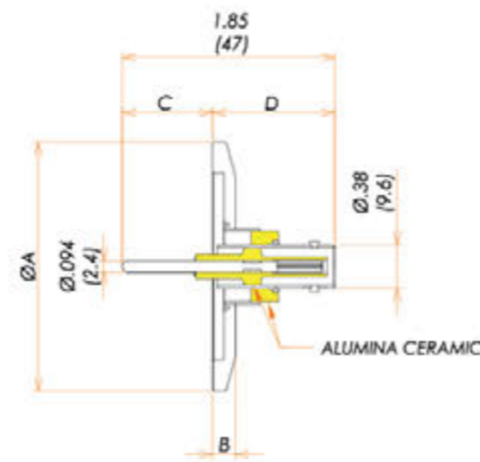
Flange	304 Stainless steel
Shell	Kovar®
Pins	Kovar®
Insulation	Alumina ceramic

Specifications

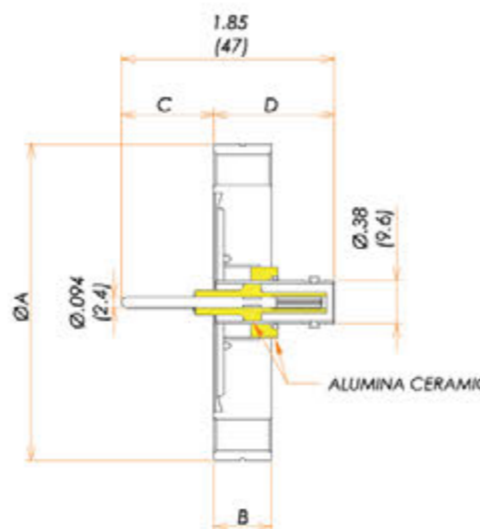
Type	Coaxial-floating
Connector	MHV-R-F
Voltage: V max. DC	5,000
Current: A max.	3
Insulation: ohm min.	10 ⁹
Frequency: MHz	DC or AC 100 (MHz)max.
Impedance: ohm	50
Leak rate: 1.3×Pa · m³/s	10 ⁻¹⁰
Temperature Range: °C*	-196 to 300

*Temperature range will be changed depends on the connection.

NW / KF Flange



ConFlat® Flange



NW / KF Flange

Dimensions in inches (mm)

No. of Pins	INSTALLATION	A	B	C	D	REFERENCE	PART NUMBER
1	NW / KF 16	1.18 (30)	.24 (6)	.50 (12.5)	1.35 (34.5)	N16MRF1	11055
1	NW / KF 25	1.57 (40)	.24 (6)	.79 (20)	1.06 (27)	N25MRF1	11089
1	NW / KF 40	2.16 (55)	.24 (6)	.79 (20)	1.06 (27)	N40MRF1	11166
2	NW / KF 40	2.16 (55)	.24 (6)	.79 (20)	1.06 (27)	N40MRF2	11167
3	NW / KF 40	2.16 (55)	.24 (6)	.79 (20)	1.06 (27)	N40MRF3	11989

ConFlat® Flange

No. of Pins	INSTALLATION	A	B	C	D	REFERENCE	PART NUMBER
1	CF 1.33	1.33 (34)	.30 (7.5)	.35 (8.9)	1.50 (38.1)	C34MRF1	10631
1	CF 2.75	2.75 (70)	.50 (12.7)	.10 (2.5)	1.04 (26.5)	C70MRF1	10714
2	CF 2.75	2.75 (70)	.50 (12.7)	.10 (2.5)	1.04 (26.5)	C70MRF2	10715
3	CF 2.75	2.75 (70)	.50 (12.7)	.10 (2.5)	1.04 (26.5)	C70MRF3	11990

Accessories

Description	REFERENCE	PART NUMBER
.094 Socket Contact Set Screw Vacuum Side	SVC24S	10152
MHV Air Side Plug	ASP-MHV	10001

For more details, see Section 6.1



C70MJ3 [10710]

Features

MHV (Miniature High Voltage)

The MHV series is coaxial transmission connectors and is rated to 5 kV 3 A.

The MHV series is offered in single- and double-ended type grounded shields and in single- and double-ended type floating shields.

Select flange size and type from NW / KF, ConFlat®, ISO-K, ISO-F and ASA.

Accessories are available, including vacuum side socket contacts, in-vacuum cable assemblies, and air side plugs.

We also manufacture custom-made products with quick delivery. Select welding position, number of connectors, and size of custom-made flanges.

Materials

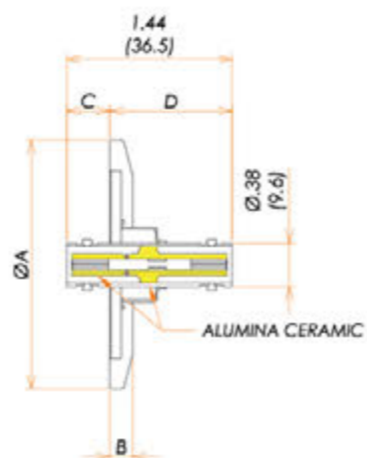
Flange	304 Stainless steel
Shell	Kovar®
Pins	Kovar®
Insulation	Alumina ceramic

Specifications

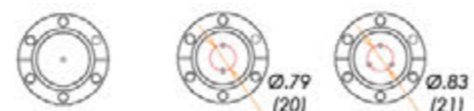
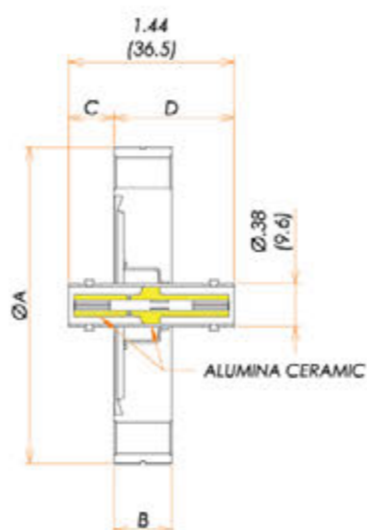
Type	Coaxial
Connector	MHV-JJ
Voltage: V max. DC	5,000
Current: A max.	3
Insulation: ohm min.	10 ⁹
Frequency: MHz	DC or AC 100 (MHz)max.
Impedance: ohm	50
Leak rate: 1.3×Pa · m ³ /s	10 ⁻¹⁰
Temperature Range: °C*	-196 to 300

*Temperature range will be changed depends on the connection.

NW / KF Flange



ConFlat® Flange



Dimensions in inches (mm)

NW / KF Flange						REFERENCE	PART NUMBER
No. of Pins	INSTALLATION	A	B	C	D		
1	NW / KF 16	1.18 (30)	.24 (6)	.08 (2)	1.36 (34.5)	N16MJ1	11053
1	NW / KF 25	1.57 (40)	.24 (6)	.37 (9.5)	1.07 (27)	N25MJ1	10236
1	NW / KF 40	2.16 (55)	.24 (6)	.37 (9.5)	1.07 (27)	N40MJ1	11157
2	NW / KF 40	2.16 (55)	.24 (6)	.37 (9.5)	1.07 (27)	N40MJ2	11158
3	NW / KF 40	2.16 (55)	.24 (6)	.37 (9.5)	1.07 (27)	N40MJ3	11993

ConFlat® Flange						REFERENCE	PART NUMBER
No. of Pins	INSTALLATION	A	B	C	D		
1	CF 1.33	1.33 (34)	.30 (7.5)	- (-)	1.48 (37.7)	C34MJ1	10627
1	CF 2.75	2.75 (70)	.50 (12.7)	.40 (10)	1.04 (26.5)	C70MJ1	10707
2	CF 2.75	2.75 (70)	.50 (12.7)	.40 (10)	1.04 (26.5)	C70MJ2	10709
3	CF 2.75	2.75 (70)	.50 (12.7)	.40 (10)	1.04 (26.5)	C70MJ3	10710

Accessories		
Description	REFERENCE	PART NUMBER
MHV-JJ In-Vacuum Cable Assembly 19"/X	VCA500MJ/X	12228
MHV-JJ In-Vacuum Cable Assembly 39"/X	VCA1000MJ/X	12229
MHV Air Side Plug	ASP-MHV	10001

For more details, see Section 6.1



C34MJF1 [10628]

Features

■ MHV (Miniature High Voltage)

The MHV series is coaxial transmission connectors and is rated to 5 kV 3 A.

The MHV series is offered in single- and double-ended type grounded shields and in single- and double-ended type floating shields.

Select flange size and type from NW / KF, ConFlat®, ISO-K, ISO-F and ASA.

Accessories are available, including vacuum side socket contacts, in-vacuum cable assemblies, and air side plugs.

We also manufacture custom-made products with quick delivery. Select welding position, number of connectors, and size of custom-made flanges.

Materials

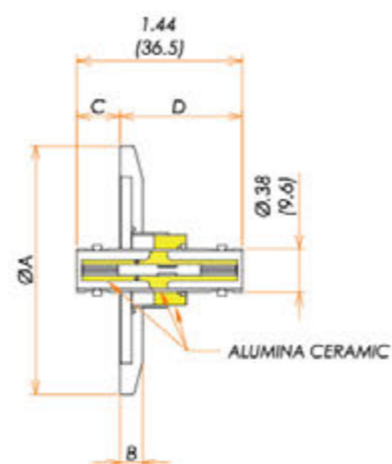
Flange	304 Stainless steel
Shell	Kovar®
Pins	Kovar®
Insulation	Alumina ceramic

Specifications

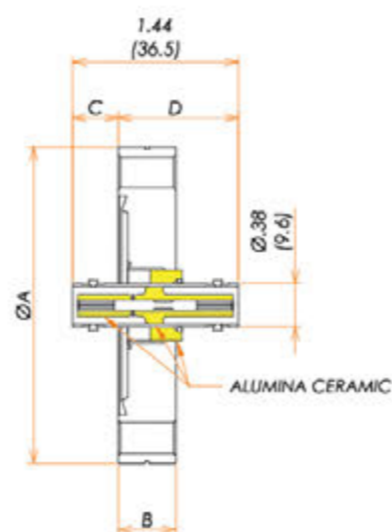
Type	Coaxial-floating
Connector	MHV-JJ-F
Voltage: V max. DC	5,000
Current: A max.	3
Insulation: ohm min.	10 ⁹
Frequency: MHz	DC or AC 100 (MHz)max.
Impedance: ohm	50
Leak rate: 1.3×Pa · m ³ /s	10 ⁻¹⁰
Temperature Range: °C*	-196 to 300

*Temperature range will be changed depends on the connection.

NW / KF Flange



ConFlat® Flange



Dimensions in inches (mm)

NW / KF Flange

No. of Pins	INSTALLATION	A	B	C	D	REFERENCE	PART NUMBER
1	NW / KF 16	1.18 (30)	.24 (6)	.08 (2)	1.36 (34.5)	N16MJF1	11054
1	NW / KF 25	1.57 (40)	.24 (6)	.37 (9.5)	1.07 (27)	N25MJF1	10205
1	NW / KF 40	2.16 (55)	.24 (6)	.37 (9.5)	1.07 (27)	N40MJF1	11159
2	NW / KF 40	2.16 (55)	.24 (6)	.37 (9.5)	1.07 (27)	N40MJF2	11160
3	NW / KF 40	2.16 (55)	.24 (6)	.37 (9.5)	1.07 (27)	N40MJF3	11996

ConFlat® Flange

No. of Pins	INSTALLATION	A	B	C	D	REFERENCE	PART NUMBER
1	CF 1.33	1.33 (34)	.30 (7.5)	- (-)	1.48 (37.7)	C34MJF1	10628
1	CF 2.75	2.75 (70)	.50 (12.7)	.40 (10)	1.04 (26.5)	C70MJF1	10711
2	CF 2.75	2.75 (70)	.50 (12.7)	.40 (10)	1.04 (26.5)	C70MJF2	10712
3	CF 2.75	2.75 (70)	.50 (12.7)	.40 (10)	1.04 (26.5)	C70MJF3	11997

Accessories

Description	REFERENCE	PART NUMBER
MHV-JJ-F In-Vacuum Cable Assembly 19"/X	VCA500MJF/X	12228
MHV-JJ-F In-Vacuum Cable Assembly 39"/X	VCA1000MJF/X	12229
MHV Air Side Plug	ASP-MHV	10001

For more details, see Section 6.1



N16NR1 [11056]

Features

N

The N series is coaxial transmission connectors and is rated to 3 kV 5 A.
The N series is offered in single- and double-ended type grounded shields and single- and double-ended type floating shields.
Select flange size and type from NW / KF, ConFlat®, ISO-K, ISO-F and ASA.
Accessories are available, including vacuum side Pin contacts and air side plugs.
We also manufacture custom-made products with quick delivery. Select welding position, number of connectors, and size of custom made flanges.

Materials

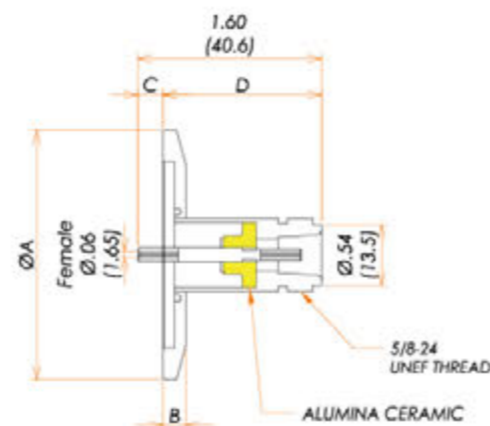
Flange	304 Stainless steel
Shell	Kovar®
Pins	Kovar®
Insulation	Alumina ceramic

Specifications

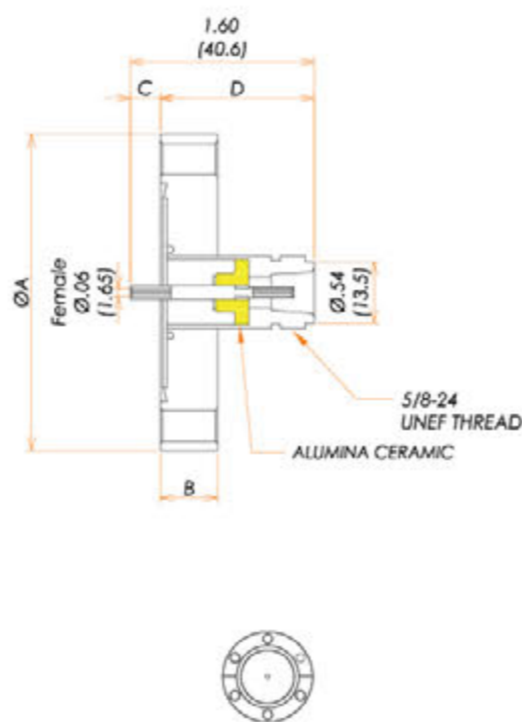
Type	Coaxial
Connector	N-R
Voltage: V max. DC	3,000
Current: A max.	5
Insulation: ohm min.	10 ⁹
Frequency: MHz	DC or AC 200 (MHz)max.
Impedance: ohm	50
Leak rate: 1.3×Pa · m ³ /s	10 ⁻¹⁰
Temperature Range: °C*	-196 to 300

*Temperature range will be changed depends on the connection.

NW / KF Flange



ConFlat® Flange



Dimensions in inches (mm)

NW / KF Flange

No. of Pins	INSTALLATION	A	B	C	D	REFERENCE	PART NUMBER
1	NW / KF 16	1.18 (30)	.24 (6)	- (-)	1.67 (42.5)	N16NR1	11056
1	NW / KF 25	1.57 (40)	.24 (6)	.22 (5.6)	1.38 (35)	N25NR1	11090
1	NW / KF 40	2.16 (55)	.24 (6)	.22 (5.6)	1.38 (35)	N40NR1	11171
2	NW / KF 40	2.16 (55)	.24 (6)	.22 (5.6)	1.38 (35)	N40NR2	11172

ConFlat® Flange

No. of Pins	INSTALLATION	A	B	C	D	REFERENCE	PART NUMBER
1	CF 1.33	1.33 (34)	.30 (7.5)	- (-)	1.81 (46.1)	C34NR1	10031
1	CF 2.75	2.75 (70)	.50 (12.7)	.24 (6.1)	1.36 (34.5)	C70NR1	10718

Accessories

Description	REFERENCE	PART NUMBER
.062 Pin Contact Vacuum Side	PAC16	10133
N Air Side Plug	ASP-N	10188

For more details, see Section 6.1



N25NRF1 [10434]

Features

N

The N series is coaxial transmission connectors and is rated to 3 kV 5 A.

The N series is offered in single- and double-ended type grounded shields and single- and double-ended type floating shields.

Select flange size and type from NW / KF, ConFlat®, ISO-K, ISO-F and ASA.

Accessories are available, including vacuum side Pin contacts and air side plugs.

We also manufacture custom-made products with quick delivery. Select welding position, number of connectors, and size of custom made flanges.

Materials

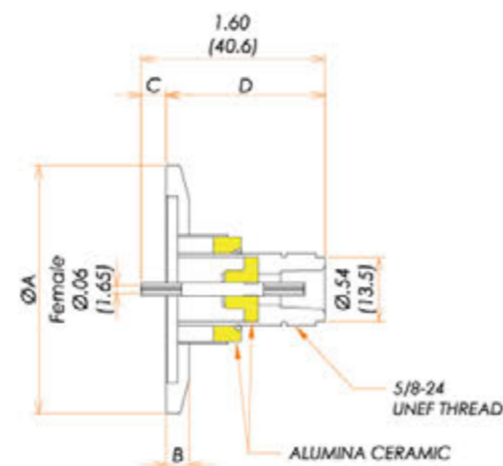
Flange	304 Stainless steel
Shell	Kovar®
Pins	Kovar®
Insulation	Alumina ceramic

Specifications

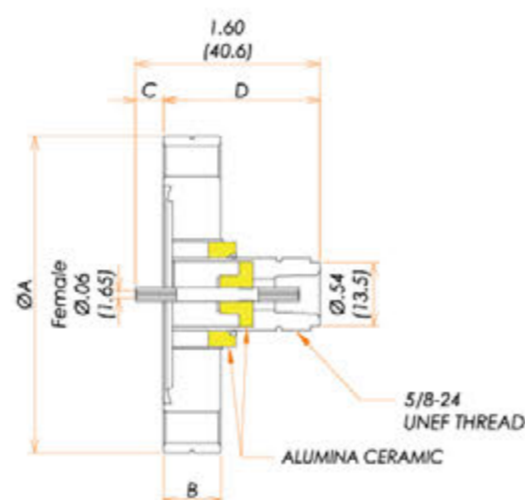
Type	Coaxial-floating
Connector	N-R-F
Voltage: V max. DC	3,000
Current: A max.	5
Insulation: ohm min.	10 ⁹
Frequency: MHz	DC or AC 200 (MHz)max.
Impedance: ohm	50
Leak rate: 1.3×Pa · m ³ /s	10 ⁻¹⁰
Temperature Range: °C*	-196 to 300

*Temperature range will be changed depends on the connection.

NW / KF Flange



ConFlat® Flange



Dimensions in inches (mm)

NW / KF Flange

No. of Pins	INSTALLATION	A	B	C	D	REFERENCE	PART NUMBER
1	NW / KF 25	1.57 (40)	.24 (6)	.22 (5.6)	1.38 (35)	N25NRF1	10434
1	NW / KF 40	2.16 (55)	.24 (6)	.22 (5.6)	1.38 (35)	N40NRF1	11173

ConFlat® Flange

No. of Pins	INSTALLATION	A	B	C	D	REFERENCE	PART NUMBER
1	CF 2.75	2.75 (70)	.50 (12.7)	.24 (6.1)	1.36 (34.5)	C70NRF1	10719

Accessories

Description	REFERENCE	PART NUMBER
.062 Pin Contact Vacuum Side	PAC16	10133
N Air Side Plug	ASP-N	10188

For more details, see Section 6.1



N40NJ1 [10232]

Features

N

The N series is coaxial transmission connectors and is rated to 3 kV 5 A.

The N series is offered in single- and double-ended type grounded shields and single- and double-ended type floating shields.

Select flange size and type from NW / KF, ConFlat®, ISO-K, ISO-F and ASA.

Accessories are available, including vacuum side Pin contacts and air side plugs.

We also manufacture custom-made products with quick delivery. Select welding position, number of connectors, and size of custom made flanges.

Materials

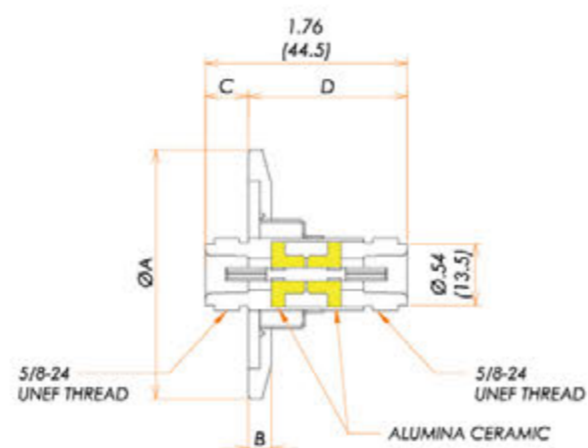
Flange	304 Stainless steel
Shell	Kovar®
Pins	Kovar®
Insulation	Alumina ceramic

Specifications

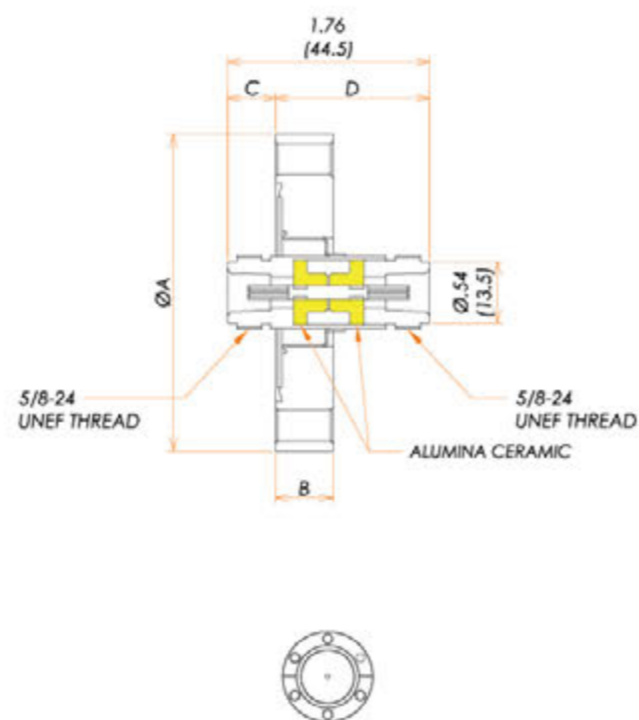
Type	Coaxial
Connector	N-JJ
Voltage: V max. DC	3,000
Current: A max.	5
Insulation: ohm min.	10 ⁹
Frequency: MHz	DC or AC 6,500 (MHz)max.
Impedance: ohm	50
Leak rate: 1.3×Pa · m ³ /s	10 ⁻¹⁰
Temperature Range: °C*	-196 to 300

*Temperature range will be changed depends on the connection.

NW / KF Flange



ConFlat® Flange



Dimensions in inches (mm)

NW / KF Flange

No. of Pins	INSTALLATION	A	B	C	D	REFERENCE	PART NUMBER
1	NW / KF 25	1.57 (40)	.24 (6)	.37 (9.5)	1.38 (35)	N25NJ1	10203
1	NW / KF 40	2.16 (55)	.24 (6)	.37 (9.5)	1.38 (35)	N40NJ1	10232

ConFlat® Flange

No. of Pins	INSTALLATION	A	B	C	D	REFERENCE	PART NUMBER
1	CF 2.75	2.75 (70)	.50 (12.7)	.39 (10)	1.36 (34.5)	C70NJ1	10717

Accessories

Description	REFERENCE	PART NUMBER
N Air Side Plug	ASP-N	10188

For more details, see Section 6.1



C70NJF1 [10342]

Features

N

The N series is coaxial transmission connectors and is rated to 3 kV 5 A.

The N series is offered in single- and double-ended type grounded shields and single- and double-ended type floating shields.

Select flange size and type from NW / KF, ConFlat®, ISO-K, ISO-F and ASA.

Accessories are available, including vacuum side Pin contacts and air side plugs.

We also manufacture custom-made products with quick delivery. Select welding position, number of connectors, and size of custom made flanges.

Materials

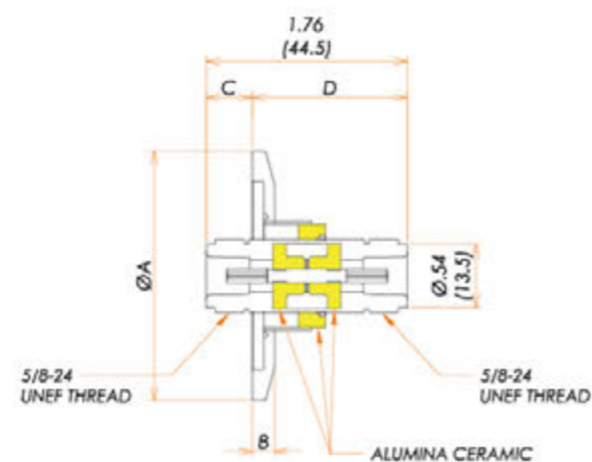
Flange	304 Stainless steel
Shell	Kovar®
Pins	Kovar®
Insulation	Alumina ceramic

Specifications

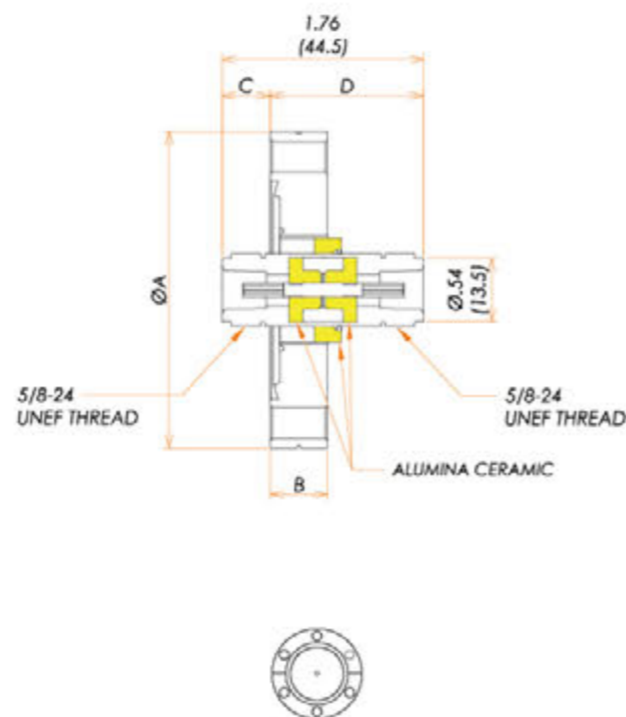
Type	Coaxial-floating
Connector	N-JJ-F
Voltage: V max. DC	3,000
Current: A max.	5
Insulation: ohm min.	10 ⁹
Frequency: MHz	DC or AC 6,500 (MHz)max.
Impedance: ohm	50
Leak rate: 1.3×Pa · m ³ /s	10 ⁻¹⁰
Temperature Range: °C*	-196 to 300

*Temperature range will be changed depends on the connection.

NW / KF Flange



ConFlat® Flange



Dimensions in inches (mm)

NW / KF Flange

No. of Pins	INSTALLATION	A	B	C	D	REFERENCE	PART NUMBER
1	NW / KF 25	1.57 (40)	.24 (6)	.37 (9.5)	1.38 (35)	N25NJF1	10350
1	NW / KF 40	2.16 (55)	.24 (6)	.37 (9.5)	1.38 (35)	N40NJF1	11169

ConFlat® Flange

No. of Pins	INSTALLATION	A	B	C	D	REFERENCE	PART NUMBER
1	CF 2.75	2.75 (70)	.50 (12.7)	.40 (10)	1.36 (34.5)	C70NJF1	10342

Accessories

Description	REFERENCE	PART NUMBER
N Air Side Plug	ASP-N	10188

For more details, see Section 6.1



C34SMR1 (10196)

Features

■ **SMA (Subminiature Type-A)**

The SMA series is coaxial transmission connectors and is rated to 1 kV 3 A.

The SMA series is offered in single- and double-ended type grounded shields and single- and double-ended type floating shields.

Select flange size and type from NW / KF, ConFlat®, ISO-K, ISO-F and ASA.

Accessories are available, including vacuum side socket contacts, in-vacuum cable assemblies, and air side plugs.

We also manufacture custom-made products with quick delivery. Select welding position, number of connectors, and size of custom-made flanges.

Materials

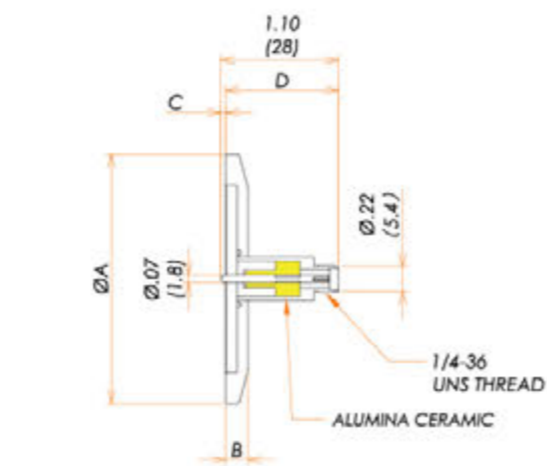
Flange	304 Stainless steel
Shell	Kovar®
Pins	Kovar®
Insulation	Alumina ceramic

Specifications

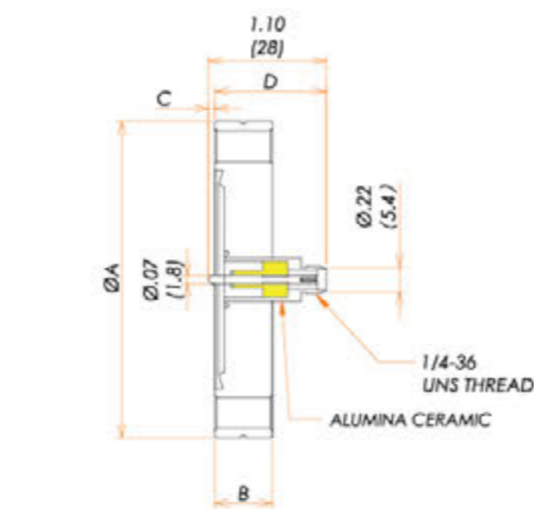
Type	Coaxial
Connector	SMA-R
Voltage: V max. DC	1,000
Current: A max.	3
Insulation: ohm min.	10 ⁹
Frequency: MHz	6,500
Impedance: ohm	50
Leak rate: 1.3×Pa · m³/s	10 ⁻¹⁰
Temperature Range: °C*	-196 to 300

*Temperature range will be changed depends on the connection.

NW / KF Flange



ConFlat® Flange



Dimensions in inches (mm)

NW / KF Flange							
No. of Pins	INSTALLATION	A	B	C	D	REFERENCE	PART NUMBER
1	NW / KF 16	1.18 (30)	.24 (6)	.12 (3)	.98 (25)	N16SMR1	11059
1	NW / KF 25	1.57 (40)	.24 (6)	.12 (3)	.98 (25)	N25SMR1	11095
1	NW / KF 40	2.16 (55)	.24 (6)	.12 (3)	.98 (25)	N40SMR1	11187
2	NW / KF 40	2.16 (55)	.24 (6)	.12 (3)	.98 (25)	N40SMR2	11188
3	NW / KF 40	2.16 (55)	.24 (6)	.12 (3)	.98 (25)	N40SMR3	11189
4	NW / KF 40	2.16 (55)	.24 (6)	.12 (3)	.98 (25)	N40SMR4	11190

ConFlat® Flange

ConFlat® Flange							
No. of Pins	INSTALLATION	A	B	C	D	REFERENCE	PART NUMBER
1	CF 1.33	1.33 (34)	.30 (7.5)	.14 (3.5)	.96 (24.5)	C34SMR1	10196
1	CF 2.75	2.75 (70)	.50 (12.7)	.14 (3.5)	.96 (24.5)	C70SMR1	10734
2	CF 2.75	2.75 (70)	.50 (12.7)	.14 (3.5)	.96 (24.5)	C70SMR2	10735
3	CF 2.75	2.75 (70)	.50 (12.7)	.14 (3.5)	.96 (24.5)	C70SMR3	10736
4	CF 2.75	2.75 (70)	.50 (12.7)	.14 (3.5)	.96 (24.5)	C70SMR4	10737

Accessories

Description	REFERENCE	PART NUMBER
.07 Socket Contact Vacuum Side	SVC18	10150
SMA Air Side Plug	ASP-SMA	10003

For more details, see Section 6.1



N25SMRF1 [10438]

Features

■ **SMA (Subminiature Type-A)**

The SMA series is coaxial transmission connectors and is rated to 1 kV 3 A.

The SMA series is offered in single- and double-ended type grounded shields and single- and double-ended type floating shields.

Select flange size and type from NW / KF, ConFlat®, ISO-K, ISO-F and ASA.

Accessories are available, including vacuum side socket contacts, in-vacuum cable assemblies, and air side plugs.

We also manufacture custom-made products with quick delivery. Select welding position, number of connectors, and size of custom-made flanges.

Materials

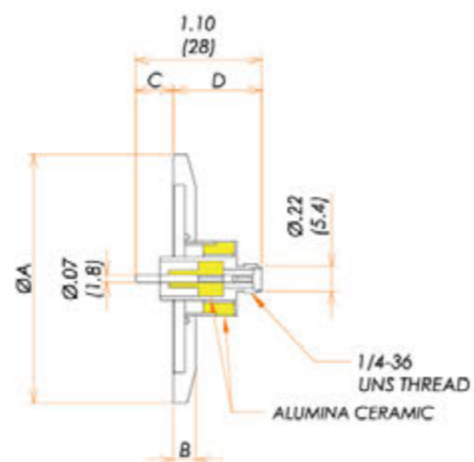
Flange	304 Stainless steel
Shell	Kovar®
Pins	Kovar®
Insulation	Alumina ceramic

Specifications

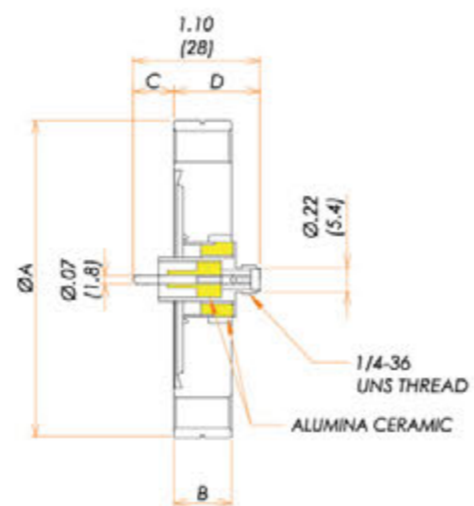
Type	Coaxial-floating
Connector	SMA-R-F
Voltage: V max. DC	1,000
Current: A max.	3
Insulation: ohm min.	10 ⁹
Frequency: MHz	6,500
Impedance: ohm	50
Leak rate: 1.3×Pa · m³/s	10 ⁻¹⁰
Temperature Range: °C*	-196 to 300

*Temperature range will be changed depends on the connection.

NW / KF Flange



ConFlat® Flange



Dimensions in inches (mm)

NW / KF Flange							
No. of Pins	INSTALLATION	A	B	C	D	REFERENCE	PART NUMBER
1	NW / KF 16	1.18 (30)	.24 (6)	.33 (8.5)	.77 (19.5)	N16SMRF1	11060
1	NW / KF 25	1.57 (40)	.24 (6)	.33 (8.5)	.77 (19.5)	N25SMRF1	10438
1	NW / KF 40	2.16 (55)	.24 (6)	.33 (8.5)	.77 (19.5)	N40SMRF1	11191
2	NW / KF 40	2.16 (55)	.24 (6)	.33 (8.5)	.77 (19.5)	N40SMRF2	11192
3	NW / KF 40	2.16 (55)	.24 (6)	.33 (8.5)	.77 (19.5)	N40SMRF3	12000

ConFlat® Flange							
No. of Pins	INSTALLATION	A	B	C	D	REFERENCE	PART NUMBER
1	CF 1.33	1.33 (34)	.30 (7.5)	.35 (9)	.75 (19)	C34SMRF1	10636
1	CF 2.75	2.75 (70)	.50 (12.7)	.35 (9)	.75 (19)	C70SMRF1	10738
2	CF 2.75	2.75 (70)	.50 (12.7)	.35 (9)	.75 (19)	C70SMRF2	10739
3	CF 2.75	2.75 (70)	.50 (12.7)	.35 (9)	.75 (19)	C70SMRF3	10740

Accessories		
Description	REFERENCE	PART NUMBER
.07 Socket Contact Vacuum Side	SVC18	10150
SMA Air Side Plug	ASP-SMA	10003

For more details, see Section 6.1



C70SMJ1 [10299]

Features

SMA (Subminiature Type-A)

The SMA series is coaxial transmission connectors and is rated to 1 kV 3 A.

The SMA series is offered in single- and double-ended type grounded shields and single- and double-ended type floating shields.

Select flange size and type from NW / KF, ConFlat®, ISO-K, ISO-F and ASA.

Accessories are available, including vacuum side socket contacts, in-vacuum cable assemblies, and air side plugs.

We also manufacture custom-made products with quick delivery. Select welding position, number of connectors, and size of custom-made flanges.

Materials

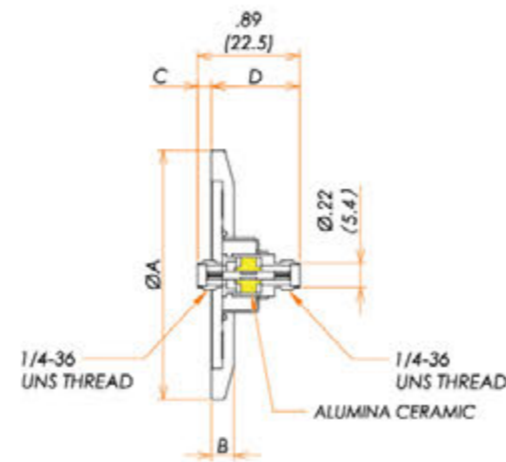
Flange	304 Stainless steel
Shell	Kovar®
Pins	Kovar®
Insulation	Alumina ceramic

Specifications

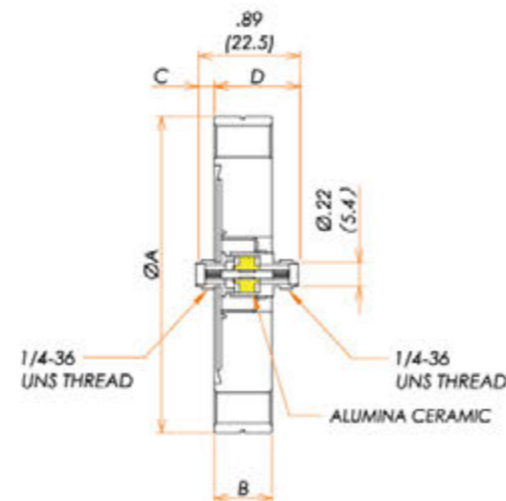
Type	Coaxial
Connector	SMA-JJ
Voltage: V max. DC	1,000
Current: A max.	3
Insulation: ohm min.	10 ⁹
Frequency: MHz	6,500
Impedance: ohm	50
Leak rate: 1.3×Pa · m³/s	10 ⁻¹⁰
Temperature Range: °C*	-196 to 300

*Temperature range will be changed depends on the connection.

NW / KF Flange



ConFlat® Flange



Dimensions in inches (mm)

NW / KF Flange

No. of Pins	INSTALLATION	A	B	C	D	REFERENCE	PART NUMBER
1	NW / KF 16	1.18 (30)	.24 (6)	.12 (3)	.77 (19.5)	N16SMJ1	11057
1	NW / KF 25	1.57 (40)	.24 (6)	.12 (3)	.77 (19.5)	N25SMJ1	11094
1	NW / KF 40	2.16 (55)	.24 (6)	.12 (3)	.77 (19.5)	N40SMJ1	11182
2	NW / KF 40	2.16 (55)	.24 (6)	.12 (3)	.77 (19.5)	N40SMJ2	11183
3	NW / KF 40	2.16 (55)	.24 (6)	.12 (3)	.77 (19.5)	N40SMJ3	11184

ConFlat® Flange

No. of Pins	INSTALLATION	A	B	C	D	REFERENCE	PART NUMBER
1	CF 1.33	1.33 (34)	.30 (7.5)	.14 (3.5)	.75 (19)	C34SMJ1	10201
1	CF 2.75	2.75 (70)	.50 (12.7)	.14 (3.5)	.75 (19)	C70SMJ1	10299
2	CF 2.75	2.75 (70)	.50 (12.7)	.14 (3.5)	.75 (19)	C70SMJ2	10238
3	CF 2.75	2.75 (70)	.50 (12.7)	.14 (3.5)	.75 (19)	C70SMJ3	10732

Accessories

Description	REFERENCE	PART NUMBER
SMA-JJ In-Vacuum Cable Assembly 19"/X	VCA500SMJ/X	11886
SMA-JJ In-Vacuum Cable Assembly 39"/X	VCA1000SMJ/X	11905
SMA Air Side Plug	ASP-SMA	10003

For more details, see Section 6.1



C70SMJF2 [10316]

Features

SMA (Subminiature Type-A)

The SMA series is coaxial transmission connectors and is rated to 1 kV 3 A.

The SMA series is offered in single- and double-ended type grounded shields and single- and double-ended type floating shields.

Select flange size and type from NW / KF, ConFlat®, ISO-K, ISO-F and ASA.

Accessories are available, including vacuum side socket contacts, in-vacuum cable assemblies, and air side plugs.

We also manufacture custom-made products with quick delivery. Select welding position, number of connectors, and size of custom-made flanges.

Materials

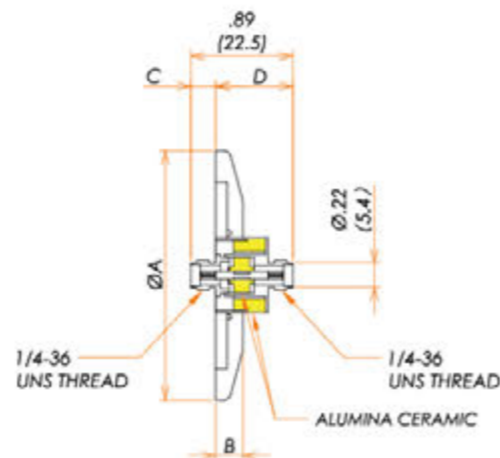
Flange	304 Stainless steel
Shell	Kovar®
Pins	Kovar®
Insulation	Alumina ceramic

Specifications

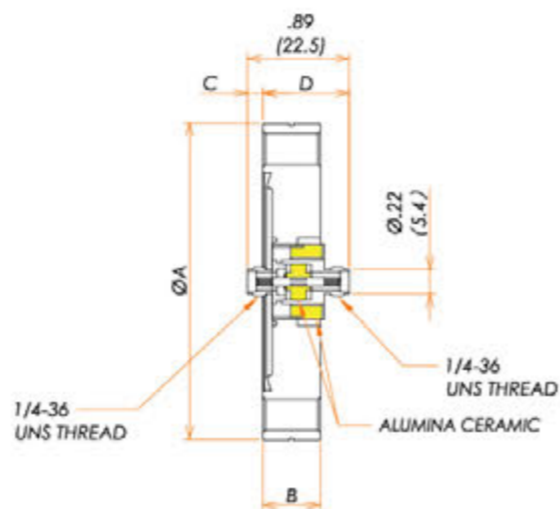
Type	Coaxial-floating
Connector	SMA-JJ-F
Voltage: V max. DC	1,000
Current: A max.	3
Insulation: ohm min.	10 ⁹
Frequency: MHz	6,500
Impedance: ohm	50
Leak rate: 1.3×Pa · m³/s	10 ⁻¹⁰
Temperature Range: °C*	-196 to 300

*Temperature range will be changed depends on the connection.

NW / KF Flange



ConFlat® Flange



NW / KF Flange

Dimensions in inches (mm)

No. of Pins	INSTALLATION	A	B	C	D	REFERENCE	PART NUMBER
1	NW / KF 16	1.18 (30)	.24 (6)	.12 (3)	.77 (19.5)	N16SMJF1	11058
1	NW / KF 25	1.57 (40)	.24 (6)	.12 (3)	.77 (19.5)	N25SMJF1	10198
1	NW / KF 40	2.16 (55)	.24 (6)	.12 (3)	.77 (19.5)	N40SMJF1	10423
2	NW / KF 40	2.16 (55)	.24 (6)	.12 (3)	.77 (19.5)	N40SMJF2	11185
3	NW / KF 40	2.16 (55)	.24 (6)	.12 (3)	.77 (19.5)	N40SMJF3	11186

ConFlat® Flange

No. of Pins	INSTALLATION	A	B	C	D	REFERENCE	PART NUMBER
1	CF 1.33	1.33 (34)	.30 (7.5)	.14 (3.5)	.75 (19)	C34SMJF1	10032
1	CF 2.75	2.75 (70)	.50 (12.7)	.14 (3.5)	.75 (19)	C70SMJF1	10317
2	CF 2.75	2.75 (70)	.50 (12.7)	.14 (3.5)	.75 (19)	C70SMJF2	10316
3	CF 2.75	2.75 (70)	.50 (12.7)	.14 (3.5)	.75 (19)	C70SMJF3	10733

Accessories

Description	REFERENCE	PART NUMBER
SMA-JJ-F In-Vacuum Cable Assembly 19"/X	VCA500SMJF/X	11886
SMA-JJ-F In-Vacuum Cable Assembly 39"/X	VCA1000SMJF/X	11905
SMA Air Side Plug	ASP-SMA	10003

For more details, see Section 6.1



N25LR1 [10206]

Features

LEMO

The LEMO series is coaxial transmission connectors and is rated to 1 kV 2 A.

The LEMO series is offered in single- and double-ended type grounded single- and double-ended type floating shields.

Select flange size and type from NW / KF, ConFlat®, ISO-K, ISO-F and ASA.

Because the LEMO series is more compact than other coaxial series, many connectors can be welded to the flange.

Accessories are available, including vacuum side socket contacts and air side plugs.

We also manufacture custom-made products with quick delivery. Select welding position, number of connectors, and size of custom-made flanges.

Materials

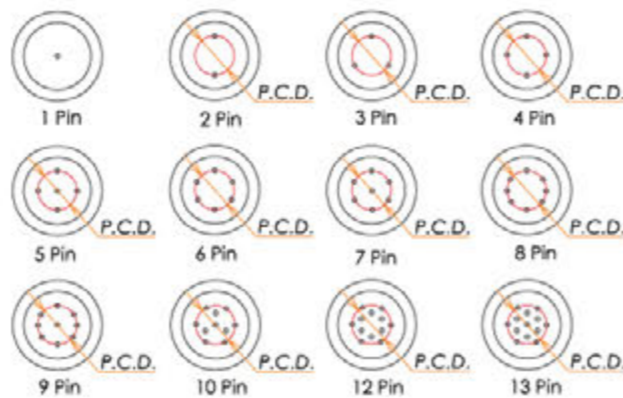
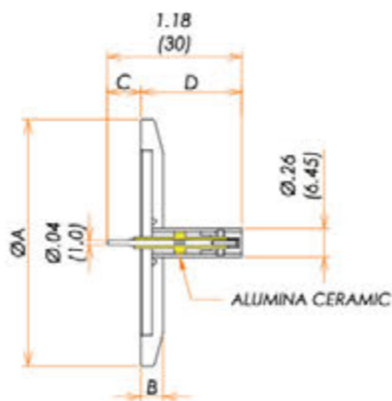
Flange	304 Stainless steel
Shell	Kovar®
Pins	Kovar®
Insulation	Alumina ceramic

Specifications

Type	Coaxial
Connector	LEMO-00R
Voltage: V max. DC	1,000
Current: A max.	2
Insulation: ohm min.	10 ⁹
Frequency: MHz	1,300
Impedance: ohm	50
Leak rate: Pa · m³/s	10 ⁻¹⁰
Temperature Range: °C*	-196 to 300

*Temperature range will be changed depends on the connection.

NW / KF Flange



Dimensions in inches (mm)

NW / KF Flange

No. of Pins	INSTALLATION	A	B	C	D	P.C.D.	REFERENCE	PART NUMBER
1	NW / KF 16	1.18 (30)	.24 (6)	.30 (7.5)	.88 (22.5)	- (-)	N16LR1	11050
1	NW / KF 25	1.57 (40)	.24 (6)	.30 (7.5)	.88 (22.5)	- (-)	N25LR1	10206
2	NW / KF 25	1.57 (40)	.24 (6)	.30 (7.5)	.88 (22.5)	.60 (15)	N25LR2	11080
3	NW / KF 25	1.57 (40)	.24 (6)	.30 (7.5)	.88 (22.5)	.60 (15)	N25LR3	11081
4	NW / KF 25	1.57 (40)	.24 (6)	.30 (7.5)	.88 (22.5)	.63 (16)	N25LR4	11082
5	NW / KF 25	1.57 (40)	.24 (6)	.30 (7.5)	.88 (22.5)	.63 (16)	N25LR5	11083
1	NW / KF 40	2.16 (55)	.24 (6)	.30 (7.5)	.88 (22.5)	- (-)	N40LR1	11132
2	NW / KF 40	2.16 (55)	.24 (6)	.30 (7.5)	.88 (22.5)	.71 (18)	N40LR2	11136
3	NW / KF 40	2.16 (55)	.24 (6)	.30 (7.5)	.88 (22.5)	.79 (20)	N40LR3	11137
4	NW / KF 40	2.16 (55)	.24 (6)	.30 (7.5)	.88 (22.5)	.91 (23)	N40LR4	11138
5	NW / KF 40	2.16 (55)	.24 (6)	.30 (7.5)	.88 (22.5)	.99 (25)	N40LR5	11139
6	NW / KF 40	2.16 (55)	.24 (6)	.30 (7.5)	.88 (22.5)	.99 (25)	N40LR6	11140
7	NW / KF 40	2.16 (55)	.24 (6)	.30 (7.5)	.88 (22.5)	1.07 (27)	N40LR7	11141
8	NW / KF 40	2.16 (55)	.24 (6)	.30 (7.5)	.88 (22.5)	1.07 (27)	N40LR8	11142
9	NW / KF 40	2.16 (55)	.24 (6)	.30 (7.5)	.88 (22.5)	1.15 (29)	N40LR9	11143
10	NW / KF 40	2.16 (55)	.24 (6)	.30 (7.5)	.88 (22.5)	1.23 (31)	N40LR10	11133
12	NW / KF 40	2.16 (55)	.24 (6)	.30 (7.5)	.88 (22.5)	1.23 (31)	N40LR12	11134
13	NW / KF 40	2.16 (55)	.24 (6)	.30 (7.5)	.88 (22.5)	1.23 (31)	N40LR13	11135

Accessories

Description	REFERENCE	PART NUMBER
.04 Socket Contact Vacuum Side	SVC10	10499
LEMO Air Side Plug	ASP-LEMO	10186

For more details, see Section 6.1



N25LR1 [10206]

Features

LEMO

The LEMO series is coaxial transmission connectors and is rated to 1 kV 2 A.

The LEMO series is offered in single- and double-ended type grounded single- and double-ended type floating shields.

Select flange size and type from NW / KF, ConFlat®, ISO-K, ISO-F and ASA.

Because the LEMO series is more compact than other coaxial series, many connectors can be welded to the flange.

Accessories are available, including vacuum side socket contacts and air side plugs.

We also manufacture custom-made products with quick delivery. Select welding position, number of connectors, and size of custom-made flanges.

Materials

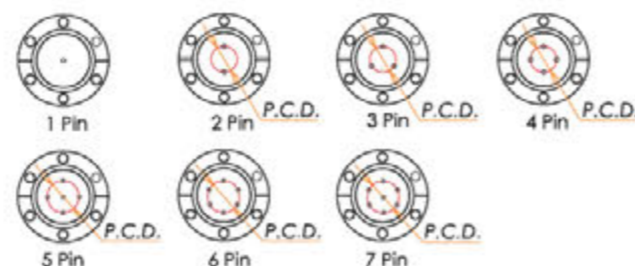
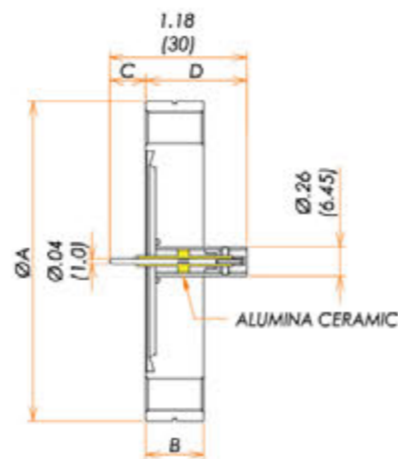
Flange	304 Stainless steel
Shell	Kovar®
Pins	Kovar®
Insulation	Alumina ceramic

Specifications

Type	Coaxial
Connector	LEMO-00R
Voltage: V max. DC	1,000
Current: A max.	2
Insulation: ohm min.	10 ⁹
Frequency: MHz	1,300
Impedance: ohm	50
Leak rate: Pa · m ³ /s	10 ⁻¹⁰
Temperature Range: °C*	-196 to 300

*Temperature range will be changed depends on the connection.

ConFlat® Flange



Dimensions in inches (mm)

No. of Pins	INSTALLATION	A	B	C	D	P.C.D.	REFERENCE	PART NUMBER
1	CF 1.33	1.33 (34)	.30 (7.5)	.31 (8)	.87 (22)	- (-)	C34LR1	10623
2	CF 1.33	1.33 (34)	.30 (7.5)	.31 (8)	.87 (22)	.40 (10)	C34LR2	10624
1	CF 2.75	2.75 (70)	.50 (12.7)	.31 (8)	.87 (22)	- (-)	C70LR1	10692
2	CF 2.75	2.75 (70)	.50 (12.7)	.31 (8)	.87 (22)	.79 (20)	C70LR2	10693
3	CF 2.75	2.75 (70)	.50 (12.7)	.31 (8)	.87 (22)	.79 (20)	C70LR3	10694
4	CF 2.75	2.75 (70)	.50 (12.7)	.31 (8)	.87 (22)	.87 (22)	C70LR4	10695
5	CF 2.75	2.75 (70)	.50 (12.7)	.31 (8)	.87 (22)	.95 (24)	C70LR5	10696
6	CF 2.75	2.75 (70)	.50 (12.7)	.31 (8)	.87 (22)	.95 (24)	C70LR6	10697
7	CF 2.75	2.75 (70)	.50 (12.7)	.31 (8)	.87 (22)	.95 (24)	C70LR7	10698

Accessories

Description	REFERENCE	PART NUMBER
.04 Socket Contact Vacuum Side	SVC10	10499
LEMO Air Side Plug	ASP-LEMO	10186

For more details, see Section 6.1



N25LJ1 [10207]

Features

LEMO

The LEMO series is coaxial transmission connectors and is rated to 1 kV 2 A.

The LEMO series is offered in single- and double-ended type grounded single- and double-ended type floating shields. Select flange size and type from NW / KF, ConFlat®, ISO-K, ISO-F and ASA.

Because the LEMO series is more compact than other coaxial series, many connectors can be welded to the flange.

Accessories are available, including vacuum side socket contacts and air side plugs.

We also manufacture custom-made products with quick delivery. Select welding position, number of connectors, and size of custom-made flanges.

Materials

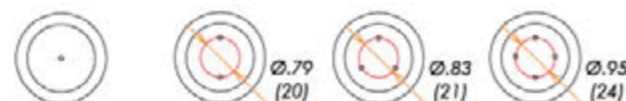
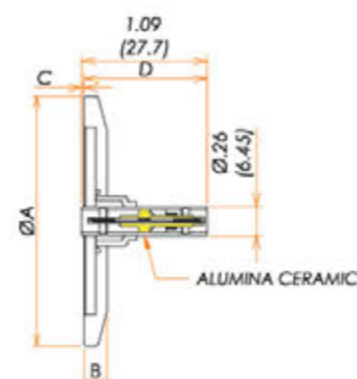
Flange	304 Stainless steel
Shell	Kovar®
Pins	Kovar®
Insulation	Alumina ceramic

Specifications

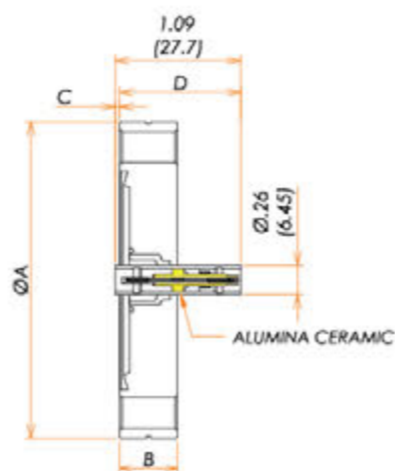
Type	Coaxial
Connector	LEMO-JJ
Voltage: V max. DC	1,000
Current: A max.	2
Insulation: ohm min.	10 ⁹
Frequency: MHz	1,300
Impedance: ohm	50
Leak rate: Pa · m ³ /s	10 ⁻¹⁰
Temperature Range: °C*	-196 to 300

*Temperature range will be changed depends on the connection.

NW / KF Flange



ConFlat® Flange



Dimensions in inches (mm)

NW / KF Flange

No. of Pins	INSTALLATION	A	B	C	D	REFERENCE	PART NUMBER
1	NW / KF 16	1.18 (30)	.24 (6)	.03 (0.7)	1.06 (27)	N16LJ1	11048
1	NW / KF 25	1.57 (40)	.24 (6)	.03 (0.7)	1.06 (27)	N25LJ1	10207
2	NW / KF 25	1.57 (40)	.24 (6)	.03 (0.7)	1.06 (27)	N25LJ2	11078
1	NW / KF 40	2.16 (55)	.24 (6)	.03 (0.7)	1.06 (27)	N40LJ1	11126
2	NW / KF 40	2.16 (55)	.24 (6)	.03 (0.7)	1.06 (27)	N40LJ2	11127
3	NW / KF 40	2.16 (55)	.24 (6)	.03 (0.7)	1.06 (27)	N40LJ3	11128
4	NW / KF 40	2.16 (55)	.24 (6)	.03 (0.7)	1.06 (27)	N40LJ4	11129

ConFlat® Flange

No. of Pins	INSTALLATION	A	B	C	D	REFERENCE	PART NUMBER
1	CF 1.33	1.33 (34)	.30 (7.5)	.03 (0.7)	1.06 (27)	C34LJ1	10619
1	CF 2.75	2.75 (70)	.50 (12.7)	.03 (0.7)	1.06 (27)	C70LJ1	10685
2	CF 2.75	2.75 (70)	.50 (12.7)	.03 (0.7)	1.06 (27)	C70LJ2	10686
3	CF 2.75	2.75 (70)	.50 (12.7)	.03 (0.7)	1.06 (27)	C70LJ3	10687

Accessories

Description	REFERENCE	PART NUMBER
LEMO Air Side Plug	ASP-LEMO	10186

For more details, see Section 6.1



C34LJF1 [10200]

Features

LEMO

The LEMO series is coaxial transmission connectors and is rated to 1 kV 2 A.

The LEMO series is offered in single- and double-ended type grounded single- and double-ended type floating shields.

Select flange size and type from NW / KF, ConFlat®, ISO-K, ISO-F and ASA.

Because the LEMO series is more compact than other coaxial series, many connectors can be welded to the flange.

Accessories are available, including vacuum side socket contacts and air side plugs.

We also manufacture custom-made products with quick delivery. Select welding position, number of connectors, and size of custom-made flanges.

Materials

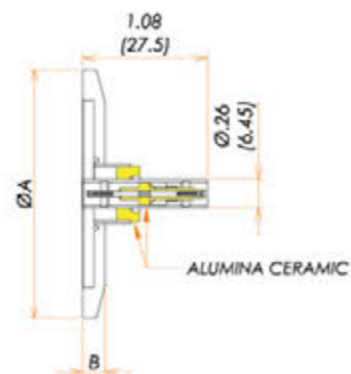
Flange	304 Stainless steel
Shell	Kovar®
Pins	Kovar®
Insulation	Alumina ceramic

Specifications

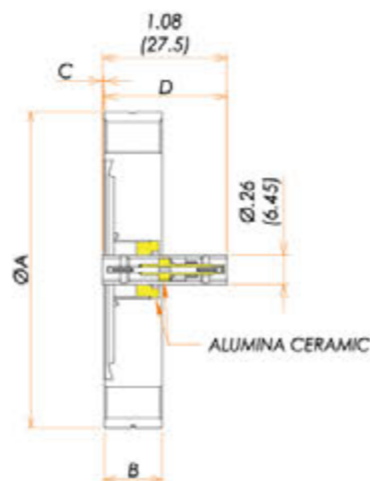
Type	Coaxial-floating
Connector	LEMO-JJ-F
Voltage: V max. DC	1,000
Current: A max.	2
Insulation: ohm min.	10 ⁹
Frequency: MHz	1,300
Impedance: ohm	50
Leak rate: Pa · m ³ /s	10 ⁻¹⁰
Temperature Range: °C*	-196 to 300

*Temperature range will be changed depends on the connection.

NW / KF Flange



ConFlat® Flange



NW / KF Flange

Dimensions in inches (mm)

No. of Pins	INSTALLATION	A	B	C	D	REFERENCE	PART NUMBER
1	NW / KF 16	1.18 (30)	.24 (6)	- (-)	- (-)	N16LJF1	11049
1	NW / KF 25	1.57 (40)	.24 (6)	- (-)	- (-)	N25LJF1	11079
1	NW / KF 40	2.16 (55)	.24 (6)	- (-)	- (-)	N40LJF1	11130
2	NW / KF 40	2.16 (55)	.24 (6)	- (-)	- (-)	N40LJF2	11131
3	NW / KF 40	2.16 (55)	.24 (6)	- (-)	- (-)	N40LJF3	12007

ConFlat® Flange

No. of Pins	INSTALLATION	A	B	C	D	REFERENCE	PART NUMBER
1	CF 1.33	1.33 (34)	.30 (7.5)	.02 (0.5)	1.06 (27)	C34LJF1	10200
1	CF 2.75	2.75 (70)	.50 (12.7)	.02 (0.5)	1.06 (27)	C70LJF1	10689
2	CF 2.75	2.75 (70)	.50 (12.7)	.02 (0.5)	1.06 (27)	C70LJF2	10690
3	CF 2.75	2.75 (70)	.50 (12.7)	.02 (0.5)	1.06 (27)	C70LJF3	10691

Accessories

Description	REFERENCE	PART NUMBER
LEMO Air Side Plug	ASP-LEMO	10186

For more details, see Section 6.1