



Accessories Introduction 179 to 180

Section 6.1 For Coaxial 181 to 184

Section 6.2 For Multipin 185 to 192

Section 6.3 For Thermocouple 193 to 206

Section 6.4 For High Voltage and High Current 207 to 208

Section 6 Accessories



In-Vacuum Cable Assemblies

Accessories for the Coaxial Series

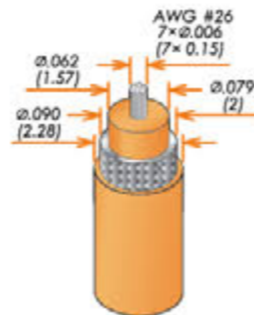
Dimensions in inches (mm)



VCA1000BR/X [11828]

Features

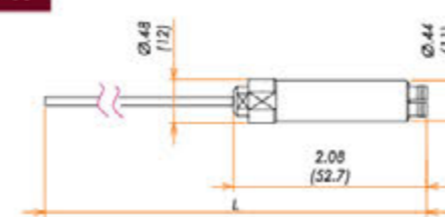
In-Vacuum Cable Assemblies with Kapton® Cable are available that connect to Coaxial series. Specifications depend on circumstances such as vacuum side, air side and temperature. Please select the most suitable products for your application.



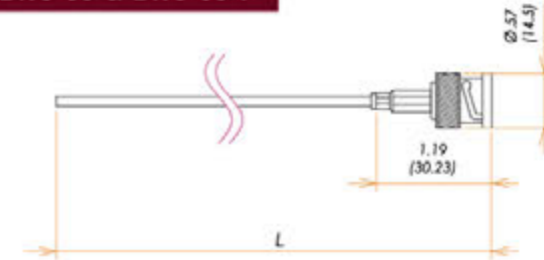
Connect to	Materials	Voltage: V max. DC	Current: A max.	Temperature Range:°C	L	AWG #	REFERENCE	PART NUMBER
BNC-R	Shell : 303 Stainless Steel Insulation : PEEK® Cable : Kapton®	1,000			19" (500)		VCA500BR/X	11813
					39" (1,000)		VCA1000BR/X	11828
BNC-JJ	Shell : 304 Stainless Steel Insulation : PEEK® Cable : Kapton®	1,000			19" (500)		VCA500BJ/X	12079
					39" (1,000)		VCA1000BJ/X	12081
BNC-JJ-F	Shell : 304 Stainless Steel Insulation : PEEK® Cable : Kapton®	1,000			19" (500)		VCA500BJF/X	12079
					39" (1,000)		VCA1000BJF/X	12081
SHV-R	Shell : 303 Stainless Steel Insulation : PEEK® Cable : Kapton®	5,000	3	-75 to 250	19" (500)		VCA500SHR/X	11814
					39" (1,000)		VCA1000SHR/X	11829
MHV-R	Shell : 304 Stainless Steel Insulation : PEEK® Cable : Kapton®	5,000	3	-75 to 250	19" (500)	26	VCA500MR/X	11815
					39" (1,000)		VCA1000MR/X	11830
MHV-JJ	Shell : 304 Stainless Steel Insulation : PEEK® Cable : Kapton®	5,000	3	-75 to 250	19" (500)		VCA500MJ/X	12228
					39" (1,000)		VCA1000MJ/X	12229
MHV-JJ-F	Shell : 304 Stainless Steel Insulation : PEEK® Cable : Kapton®	5,000	3	-75 to 250	19" (500)		VCA500MJF/X	12228
					39" (1,000)		VCA1000MJF/X	12229
SMA-JJ	Shell : 304 Gold-Plated Stainless Steel Insulation : PEEK® Cable : Kapton®	700			19" (500)		VCA500SMJ/X	11886
					39" (1,000)		VCA1000SMJ/X	11905
SMA-JJ-F	Shell : 304 Gold-Plated Stainless Steel Insulation : PEEK® Cable : Kapton®	700			19" (500)		VCA500SMJF/X	11886
					39" (1,000)		VCA1000SMJF/X	11905

Dimensions in inches (mm)

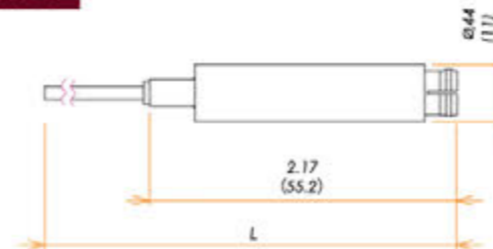
BNC-R



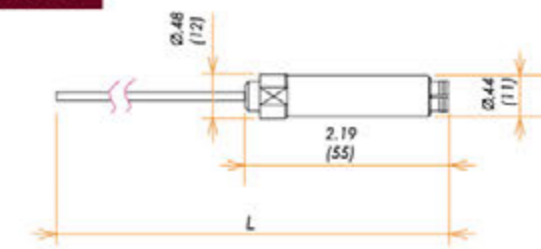
BNC-JJ & BNC-JJ-F



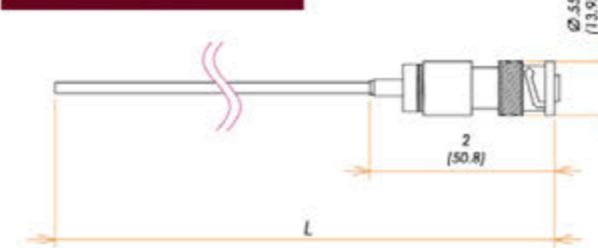
SHV-R



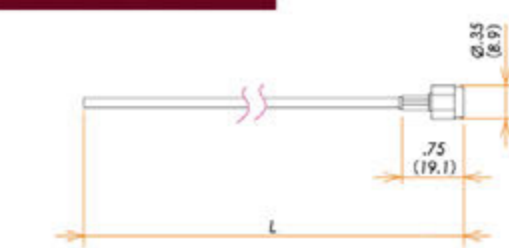
MHV-R



MHV-JJ & MHV-JJ-F



SMA-JJ & SMA-JJ-F



Dimensions in inches (mm)

Air Side Plugs

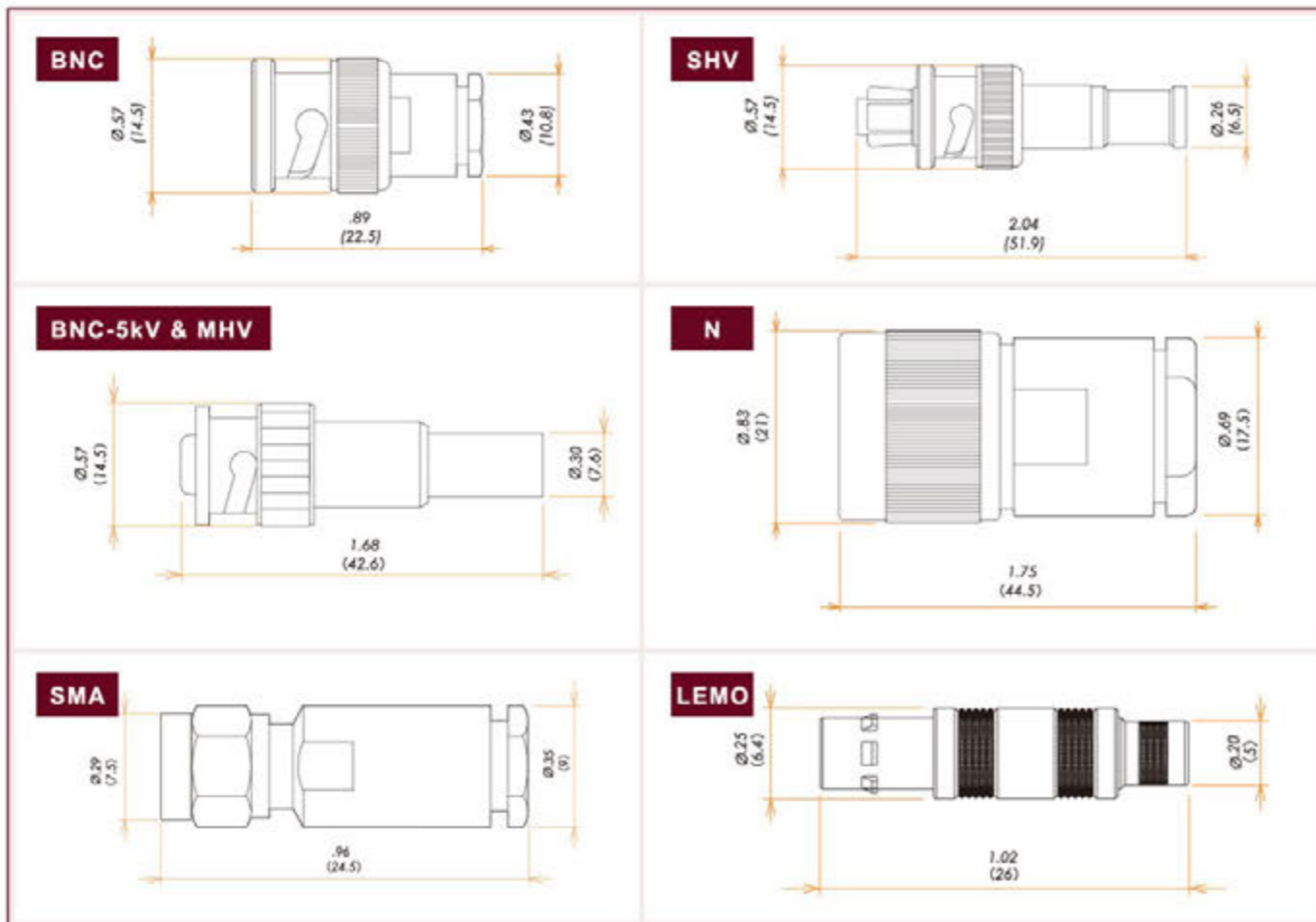
Accessories for the Coaxial Series



Features

Air side plugs are available that connect to Coaxial series.
Please select the most suitable products for your application.

Connect to	Materials	Voltage: V max. DC	Current: A max.	Temperature Range:°C	REFERENCE	PART NUMBER
BNC	Shell : Nickel Plated Brass Insulation : PTFA	1,500	5	-65 to 165	ASP-BNC	10017
BNC-5kV					ASP-BNC5KV	10001
SHV		ASP-SHV	10002			
MHV		ASP-MHV	10001			
N		ASP-N	10188			
SMA	Shell : Beryllium-Copper Alloy and Gold-Plated Insulation : PTFA	750	3	ASP-SMA	10003	
LEMO	Shell : Brass Chrom Plate Insulation : PEEK®	2,500	4	-50 to 250	ASP-LEMO	10186



Dimensions in inches (mm)

Vacuum Side Socket Contacts

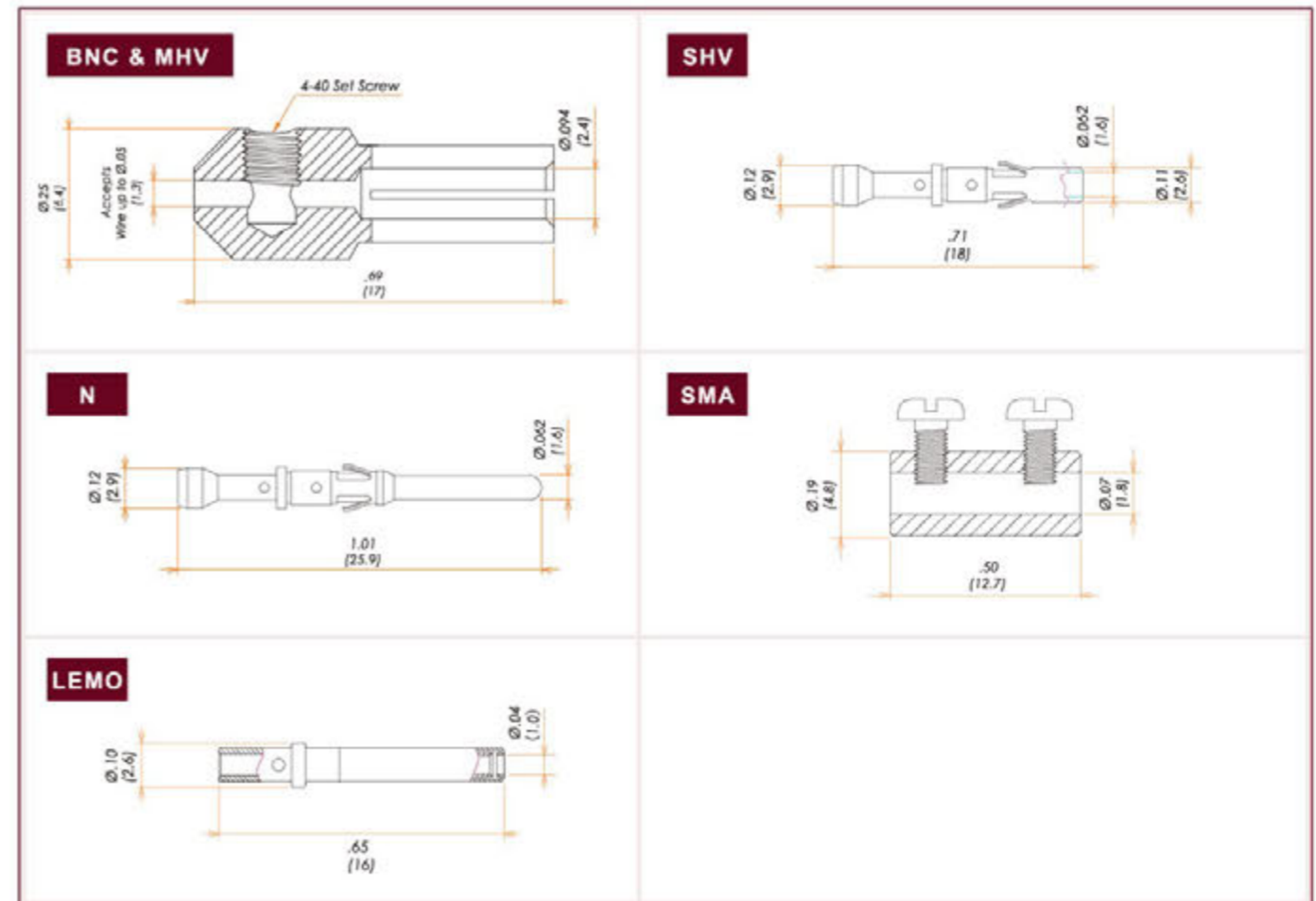
Accessories for the Coaxial Series



Features

Specifications depend on circumstances such as vacuum side, air side and temperature.
Please select the most suitable products for your application.

Connect to	Materials	Current: A max.	Accept Wire	Temperature Range:°C	REFERENCE	PART NUMBER
BNC & MHV	Beryllium-Copper and Gold-Plated	25	.05 MAX. (1.3)	-196 to 200	SVC24S	10152
SHV	Copper-Alloy and Gold-Plated	13	.03 MAX. (0.8)	-196 to 300	SVC16	10147
N					PAC16	10133
SMA	Beryllium-Copper and Gold-Plated	20	.07 MAX. (1.8)		SVC18	10150
LEMO	Copper-Alloy and Gold-Plated	15	.04 MAX. (1.0)	SVC10	10499	



Dimensions in inches (mm)

Insulating Inserts (PEEK®)

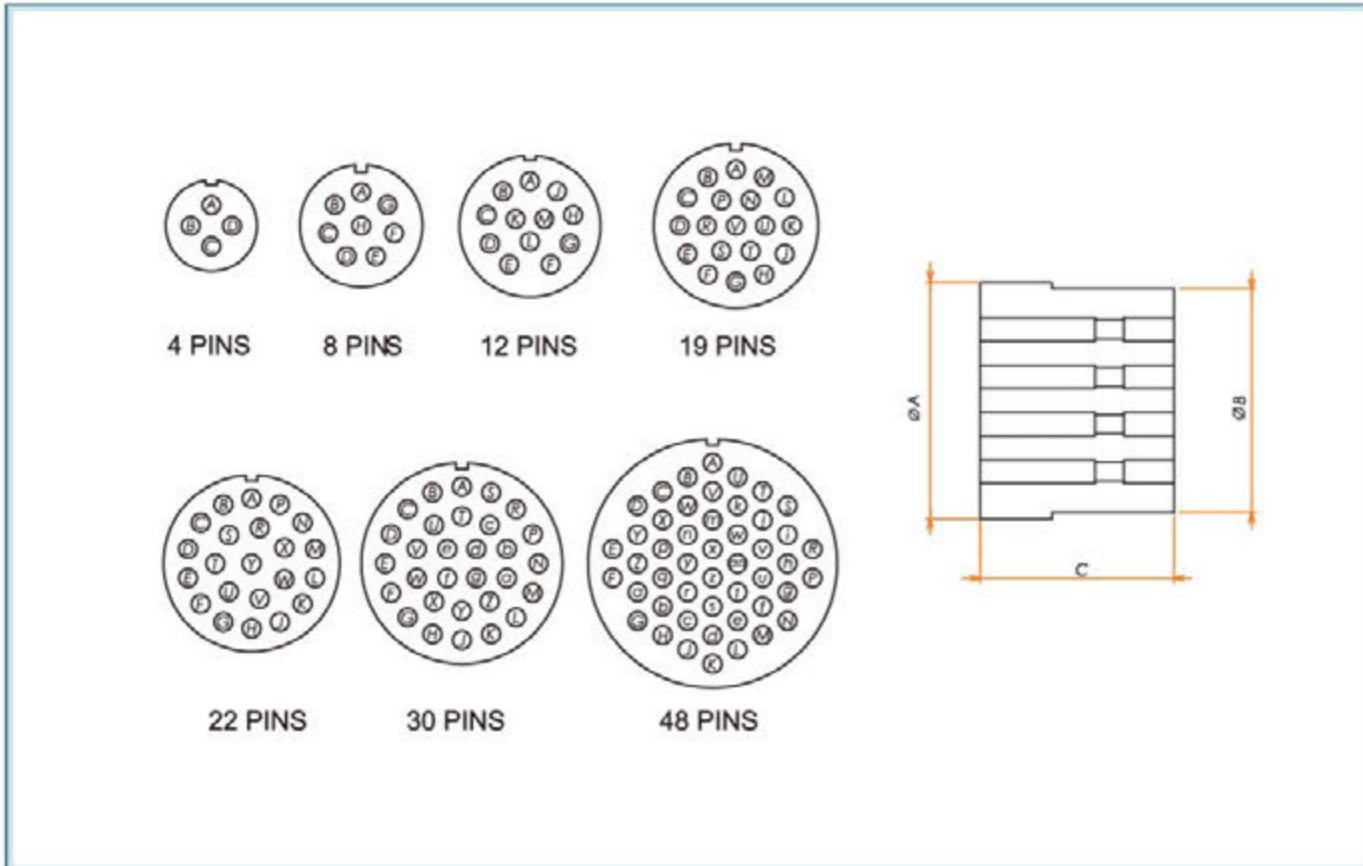
Accessories for the Multipin BURNDY Series (Standard / High Current)



Features

PEEK® Insulators are available that connect to the BURNDY series in vacuum. Specifications depend on temperature. Please select the most suitable products for your application.

No. of Pins	Materials	Temperature Range:°C	A	B	C	REFERENCE	PART NUMBER
4	PEEK®	-196 to 250	.51 (13)	.43 (11)	1.06 (27)	VSPI4	10167
8			.61 (15.5)	.56 (14.2)	1.06 (27)	VSPI8	10169
12			.77 (19.5)	.69 (17.5)	1.06 (27)	VSPI12	10163
19			.87 (22)	.79 (20)	1.06 (27)	VSPI19	10164
22			.94 (24)	.87 (22)	1.06 (27)	VSPI22	10165
30			1.06 (27)	.98 (25)	.94 (24)	VSPI30	10166
48			1.30 (33.5)	1.24 (31.5)	1.06 (27)	VSPI48	10168



Dimensions in inches (mm)

Insulating Inserts (CERAMICS)

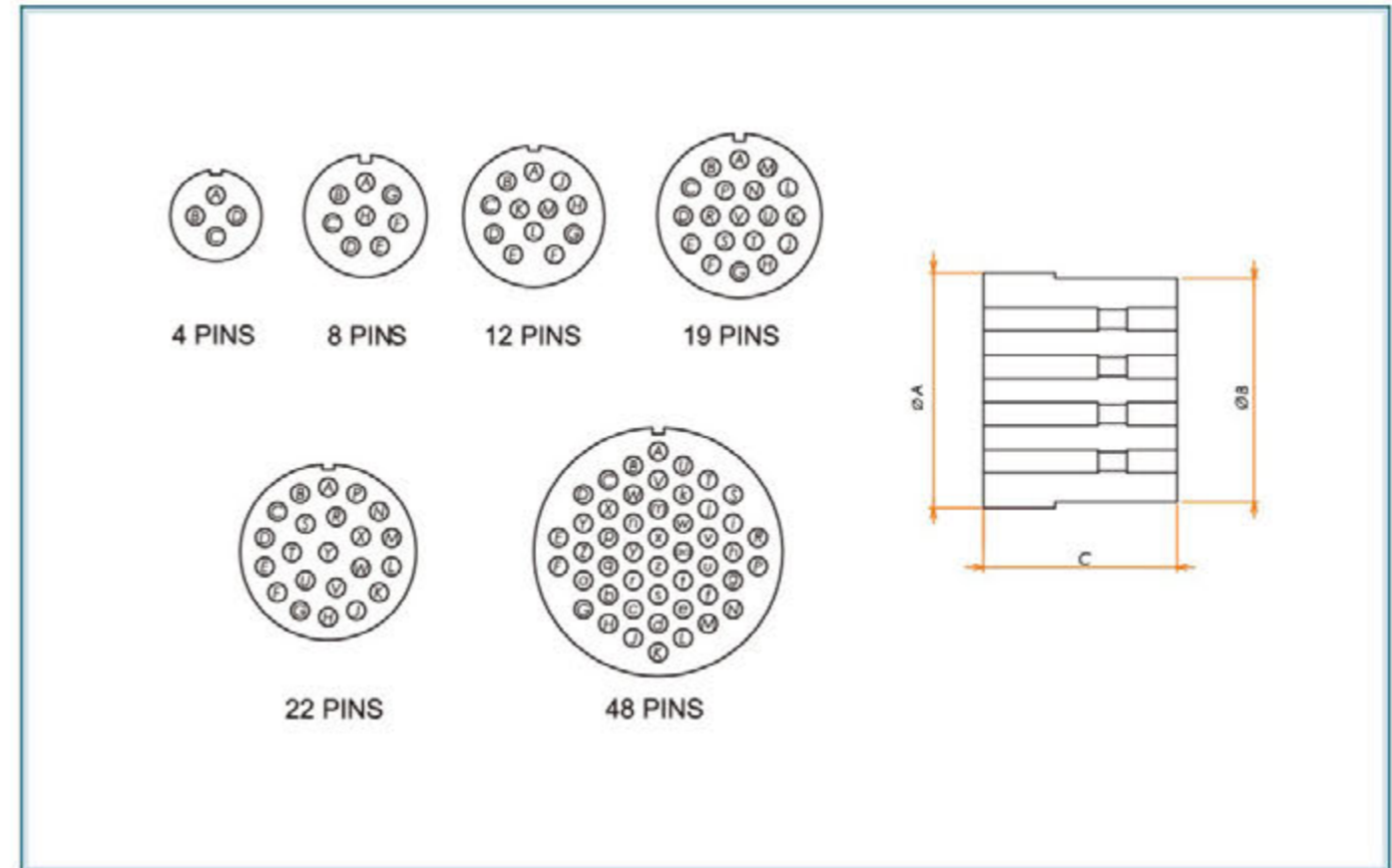
Accessories for the Multipin BURNDY Series (Standard / High Current)



Features

Alumina Ceramic insulators are available that connect to the BURNDY series in Vacuum. Specifications depend on temperature. Please select the most suitable products for your application.

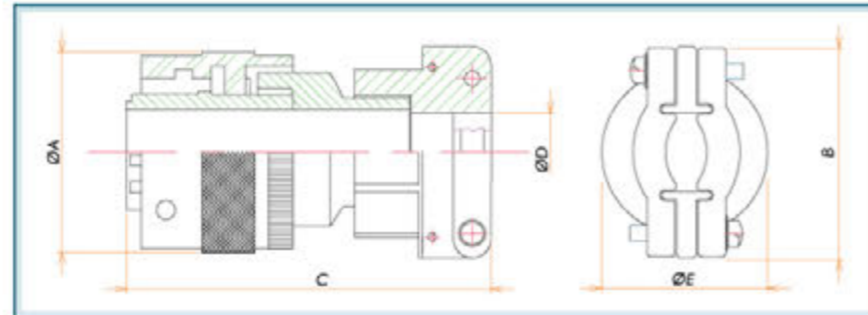
No. of Pins	Materials	Temperature Range:°C	A	B	C	REFERENCE	PART NUMBER
4	Alumina Ceramic	-196 to 300	.48 (12.2)	.43 (11)	1.06 (27)	VSAI4	10160
8			.65 (16.4)	.56 (14.2)	1.06 (27)	VSAI8	10162
12			.75 (19)	.69 (17.4)	1.06 (27)	VSAI12	10157
19			.87 (22)	.79 (20)	1.06 (27)	VSAI19	10158
22			.92 (23.3)	.86 (21.8)	.89 (22.5)	VSAI22	10159
48			1.3 (32.9)	1.23 (31.2)	1.06 (27)	VSAI48	10161



Dimensions in inches (mm)

Air Side Plugs

Accessories for the Multipin BURNDY Series (Standard / High Current)



ASP22 [10009]

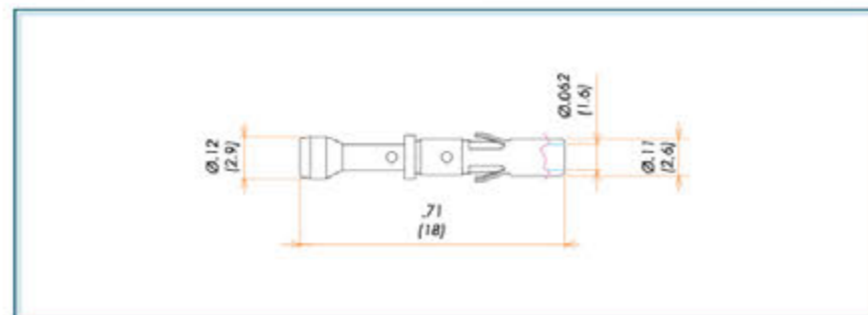
Features

Air side plugs are available that connect to Multipin series. Please select the most suitable products for your application.

No. of Pins	Materials	Temperature Range:°C	A	B	C	D	E	REFERENCE	PART NUMBER
4	Shell : Aluminum Alloy Insulation : Glass Fiber Filled Polycarbonate (UL94V-1/Black)	-55 to 125	.84 (21.4)	.87 (22.2)	1.93 (49)	.31 (7.8)	.81 (20.7)	ASP4	10013
8			.97 (24.7)	1.06 (27)	2.01 (51)	.44 (11.2)	.97 (24.7)	ASP8	10016
12			1.09 (27.7)	1.16 (29.4)	2.05 (52)	.58 (14.7)	1.03 (26.2)	ASP12	10005
19			1.22 (31.1)	1.25 (31.8)	2.05 (52)	.65 (16.5)	1.12 (28.5)	ASP19	10007
22			1.34 (34.1)	1.47 (37.3)	2.05 (52)	.77 (19.6)	1.31 (33.3)	ASP22	10009
30			1.48 (37.5)	1.47 (37.3)	2.24 (57)	.77 (19.6)	1.31 (33.3)	ASP30	10011
48			1.73 (44)	1.69 (42.9)	2.32 (59)	.87 (22)	1.67 (42.3)	ASP48	10014

Vacuum Side Socket Contacts

Accessories for the Multipin BURNDY Series (Standard / High Current)



SVC16 [10147]

Features

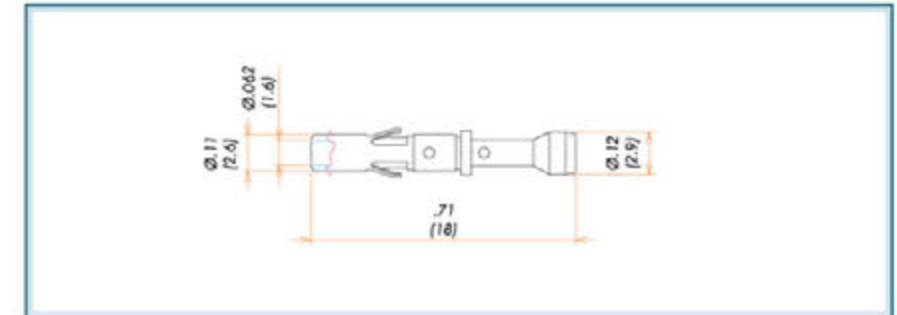
Socket contacts are available that connect to pins by Crimping in vacuum side. Specifications depend on circumstances such as vacuum side, air side and temperature. Please select the most suitable products for your application.

Materials	Current: A max.	Temperature Range:°C	Accept Wire	REFERENCE	PART NUMBER
Copper-Alloy and Gold-Plated	13	-196 to 300	.03 MAX. (0.8)	SVC16	10147

Dimensions in inches (mm)

Air Side Socket Contacts

Accessories for the Multipin BURNDY Series (Standard / High Current)



SAC16 [10142]

Features

Socket contacts are available that connect to pins by Crimping in air side. Specifications depend on circumstances such as vacuum side, air side and temperature. Please select the most suitable products for your application.

Materials	Current: A max.	Temperature Range:°C	Accept Wire	REFERENCE	PART NUMBER
Copper-Alloy and Gold-Plated	13	-196 to 300	.03 MAX. (0.8)	SAC16	10142

Removal Tool

Accessories for the Multipin BURNDY Series (Standard / High Current)



PT16 [10138]

Features

Removal Tool is available for Multipin series that remove the socket contacts out from insulators.* This tool ensures that the contact locking louvers are fully retracted. *Insulators of BURNDY and MIL-C-5015 series.

REFERENCE	PART NUMBER
PT16	10138

Crimp Tool

Accessories for the Multipin BURNDY Series (Standard / High Current)



CT2313 [10052]

Features

Crimp Tool is available that crimp the wire (AWG #13 to #23) with socket contacts. This 4-indent crimp tool features a micrometer type adjusting knob providing continuously variable adjustments for precise crimp depths. Can be adjusted and set at crimp depths ranging from .025 to .075 inches allowing settings to be within .001 inch.

AWG #	REFERENCE	PART NUMBER
23 to 13	CT2313	10052

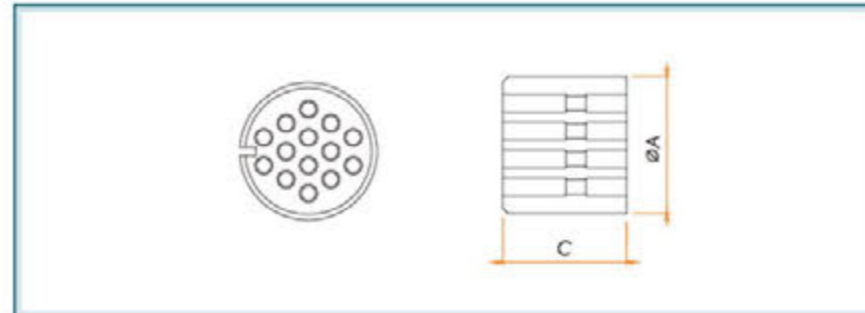
Dimensions in inches (mm)

Insulating Inserts (PEEK®)

Accessories for the Multipin MIL-C-5015 Series



VSP10MS [10217]



Features

PEEK® Insulators are available that connect to the MIL-C-5015 series in vacuum. Specifications depend on temperature. Please select the most suitable products for your application.

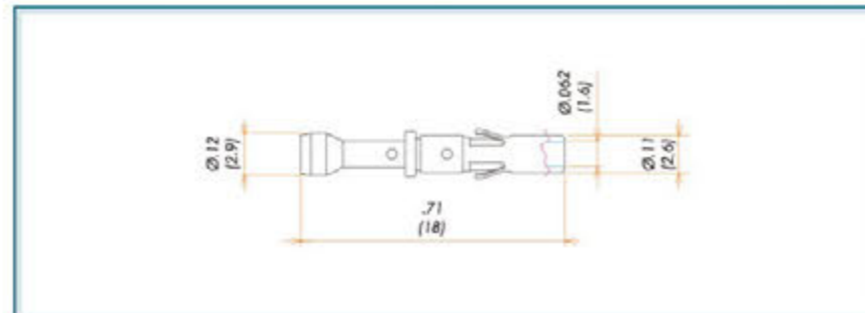
No. of Pins	Materials	Temperature Range: °C	A	C	REFERENCE	PART NUMBER
6	PEEK®	-196 to 250	.59 (15)	.89 (22.5)	VSP16MS	10220
10			.87 (22)	.89 (22.5)	VSP10MS	10217
14			.98 (25)	.89 (22.5)	VSP14MS	10216
19			1.12 (28.5)	.89 (22.5)	VSP19MS	10222
24			1.26 (32)	.89 (22.5)	VSP24MS	10219
37			1.48 (37.5)	.89 (22.5)	VSP37MS	10218
48			1.97 (50)	1.06 (27)	VSP48MS	10221

Vacuum Side Socket Contacts

Accessories for the Multipin MIL-C-5015 Series



SVC16 [10147]



Features

Socket contacts are available that connect to pins by Crimping in vacuum side. Specifications depend on circumstances such as vacuum side, air side and temperature. Please select the most suitable products for your application.

Materials	Current: A max.	Temperature Range: °C	Accept Wire	REFERENCE	PART NUMBER
Copper-Alloy and Gold-Plated	13	-196 to 300	.03 MAX. (0.8)	SVC16	10147

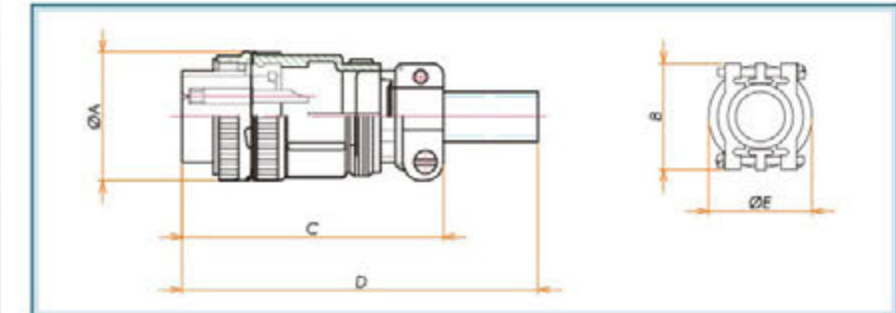
Dimensions in inches (mm)

Air Side Plugs

Accessories for the Multipin MIL-C-5015 Series



ASP10MS [10004]



Features

Air side plugs are available that connect to MIL-C-5015 series. Please select the most suitable products for your application.

No. of Pins	Materials	Temperature Range: °C	A	B	C	D	E	REFERENCE	PART NUMBER
6	Shell : Aluminum Alloy Insulation : Synthetic Resin Contact : Copper-Alloy and Gold-Plated Rubber Bush : Synthetic Rubber	-55 to 125	1.13 (28.6)	1.46 (37)	2.16 (54.8)	4.25 (108)	.97 (24.6)	ASP6MS	10015
10			1.34 (34.1)	1.25 (31.8)	2.48 (63)	4.25 (108)	1.19 (30.2)	ASP10MS	10004
14			1.47 (37.3)	1.44 (36.7)	2.72 (69.1)	4.37 (111)	1.37 (34.9)	ASP14MS	10006
19			1.59 (4.5)	1.44 (36.7)	2.72 (69.1)	4.37 (111)	1.37 (34.9)	ASP19MS	10008
24			1.72 (43.7)	1.67 (42.4)	2.97 (75.5)	4.45 (113)	1.66 (42.1)	ASP24MS	10010
37			1.97 (50)	1.67 (42.4)	2.97 (75.5)	4.45 (113)	1.66 (42.1)	ASP37MS	10012
48			2.47 (62.7)	2.28 (57.9)	3.14 (79.8)	4.37 (111)	2.22 (56.4)	ASP48MS	10189

Removal Tool

Accessories for the Multipin MIL-C-5015 Series



PT16 [10138]

Features

Removal Tool is available for Multipin series that remove the socket contacts out from insulators.*

This tool ensures that the contact locking louver are fully retracted.

*Insulators of BURNDY and MIL-C-5015 series.

REFERENCE	PART NUMBER
PT16	10138

Crimp Tool

Accessories for the Multipin MIL-C-5015 Series



CT2313 [10052]

Features

Crimp Tool is available that crimp the wire (AWG #13 to #23) with socket contacts.

This 4-indent crimp tool features a micrometer type adjusting knob providing continuously variable adjustments for precise crimp depths. Can be adjusted and set at crimp depths ranging from .025 to .075 inches allowing settings to be within .001 inch.

AWG #	REFERENCE	PART NUMBER
23 to 13	CT2313	10052

Kapton® Flat Cable with Socket Contacts in Type-D In-Vacuum PEEK® Insulator

Accessories for the Subminiature-D Series

Dimensions in inches (mm)

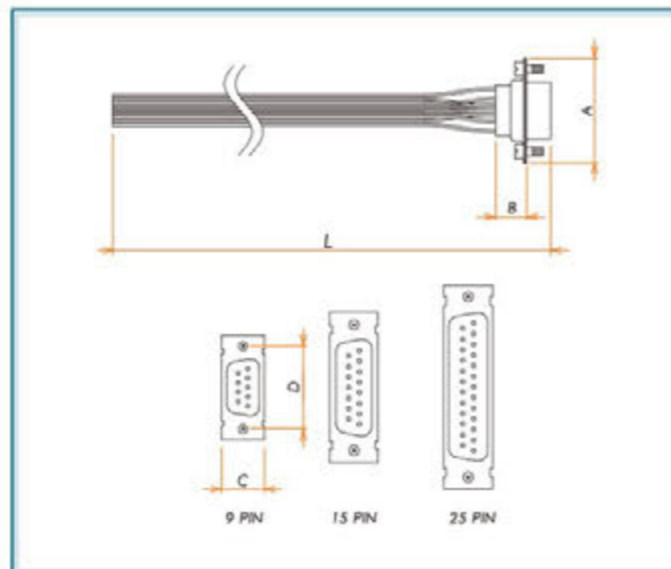
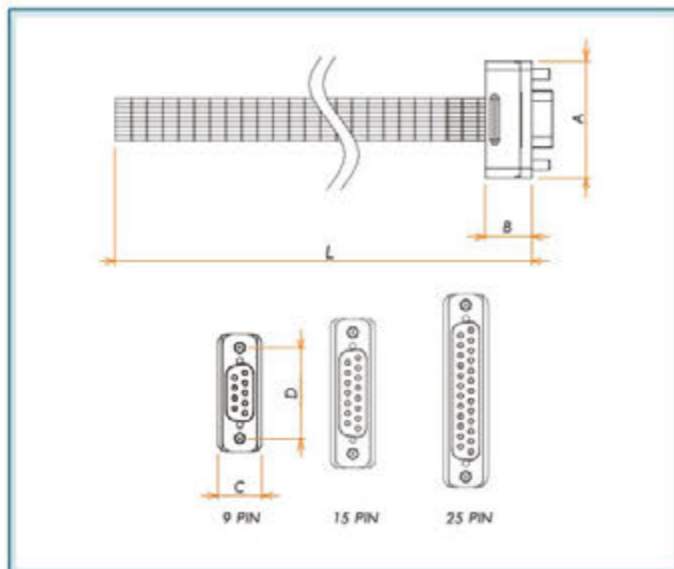


VCA500MD9P/X [12161]

Features

We provide AWG #28 Kapton® flat cable crimped with .040 socket contacts in Type-D In-Vacuum PEEK® insulator for UHV compatible with MIL-C-24308. Also, for HV version is available in Stainless Steel with DAP insulator. Specifications depend on circumstances such as length of cables. Please select the most suitable products for your application.

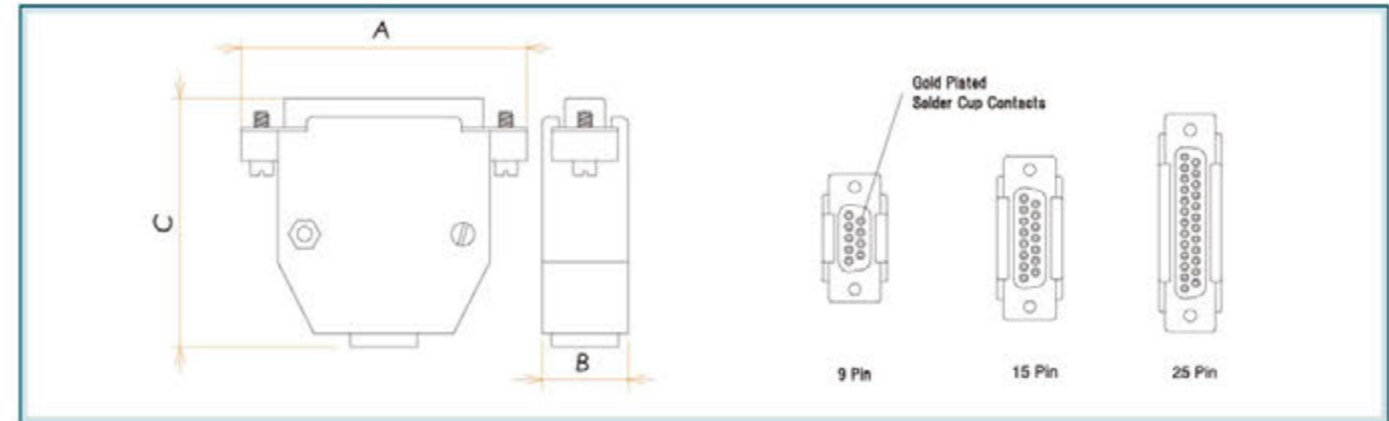
No. of Pins	Materials	Temperature Range:°C	Vacuum Level	A	B	C	D	L	AWG #	REFERENCE	PART NUMBER
9	Conductor : Silver-Plated, Cu - Kapton® Insulation. Insulation : PEEK® Socket Contacts : Copper-Alloy and Gold-Plated	-75 to 250	1x10 ⁻⁹ Pa for UHV	1.26 (32)			.98 (24.89)	19" (500)	28	VCA500MD9P/X	12161
								39" (1,000)		VCA1000MD9P/X	12163
15				1.6 (40.64)	.5 (12.7)	.48 (12.19)	1.3 (33.02)	19" (500)	VCA500MD15P/X	12165	
								39" (1,000)			VCA1000MD15P/X
25				2.075 (52.70)	1.85 (46.99)	19" (500)	VCA500MD25P/X	12270			
									39" (1,000)	VCA1000MD25P/X	12271
9	Conductor : Silver-Plated, Cu - Teflon® Insulation. Insulation : Stainless Steel/DAP Socket Contacts : Copper-Alloy and Gold-Plated	-55 to 125	1x10 ⁻⁴ Pa for HV	1.22 (30.98)			.98 (24.89)	19" (500)	28	VCA500MD9D/X	12169
								39" (1,000)		VCA1000MD9D/X	12171
15				1.55 (39.37)	.38 (9.65)	.5 (12.7)	1.3 (33.02)	19" (500)	VCA500MD15D/X	12173	
								39" (1,000)			VCA1000MD15D/X
25				2.1 (53.34)	1.85 (46.99)	19" (500)	VCA500MD25D/X	12272			
									39" (1,000)	VCA1000MD25D/X	12273



Dimensions in inches (mm)

Air Side Plugs

Accessories for the Subminiature-D Series



Features

Air side plugs are available that connect to Subminiature-D series. Please select the most suitable products for your application.

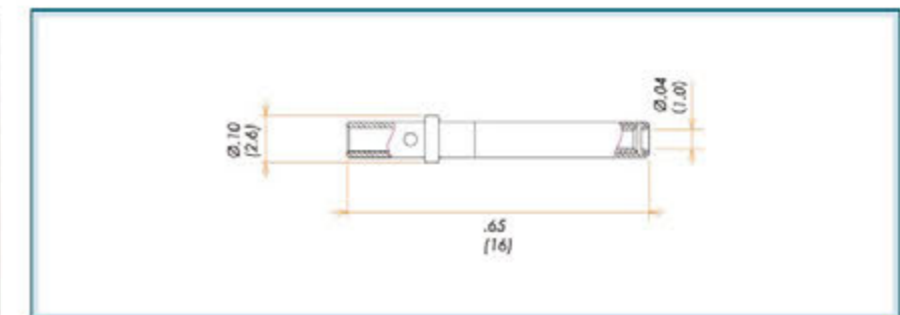
No. of Pins	Materials	Temperature Range:°C	A	B	C	REFERENCE	PART NUMBER
9	Composite	-55 to 105	1.22 (31)	.59 (15)	1.69 (43)	ASP9D	11816
15			1.61 (41)	.59 (15)	1.61 (41)	ASP15D	11831
25			2.2 (56)	.59 (15)	1.89 (48)	ASP25D	11931

Socket Contacts

Accessories for the Subminiature-D Series



SVC10 [10499]



Features

Socket contacts are offered in package of 10 that connect to pins by crimping in vacuum. Please select the most suitable products for your application.

Materials	Current: A max.	Temperature Range:°C	Accept Wire	REFERENCE	PART NUMBER
Copper-Alloy and Gold-Plated	15	-196 to 300	.04 MAX. (1.0)	SVC10	10499

Insulating Inserts (PEEK®)

Accessories for the BURNDY K type Thermocouple

Dimensions in inches (mm)



VSPI22 [10165]

Features

PEEK® Insulators are available that connect to the BURNDY Thermocouple series in vacuum.
Specifications depend on temperature.
Please select the most suitable products for your application.

No. of Pairs	Materials	Temperature Range:°C	A	B	C	REFERENCE	PART NUMBER
2	PEEK®	-196 to 250	.51 (13)	.43 (11)	1.06 (27)	VSPI4	10167
4			.61 (15.5)	.56 (14.2)	1.06 (27)	VSPI8	10169
6			.77 (19.5)	.69 (17.5)	1.06 (27)	VSPI12	10163
11			.94 (24)	.87 (22)	1.06 (27)	VSPI22	10165
15			1.06 (27)	.98 (25)	.94 (24)	VSPI30	10166
24			1.30 (33.5)	1.24 (31.5)	1.06 (27)	VSPI48	10168

Insulating Inserts (CERAMICS)

Accessories for the BURNDY K type Thermocouple

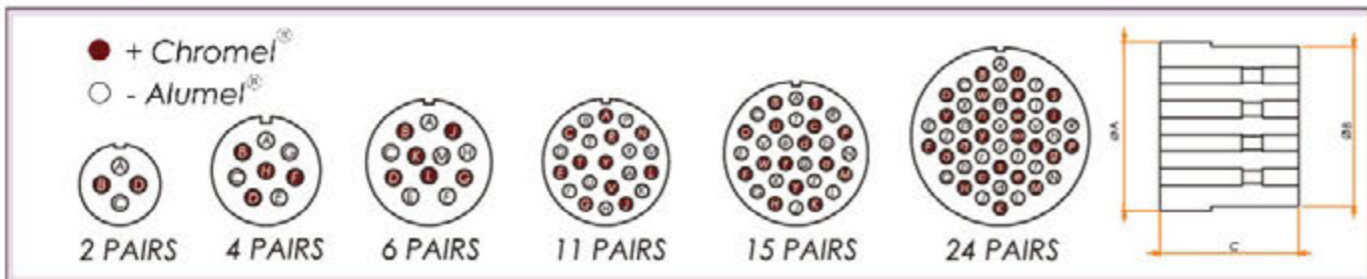


VSAI19 [10158]

Features

Alumina Ceramic insulators are available that connect to the BURNDY Thermocouple series in vacuum.
Specifications depend on temperature.
Please select the most suitable products for your application.

No. of Pairs	Materials	Temperature Range:°C	A	B	C	REFERENCE	PART NUMBER
2	Alumina Ceramic	-196 to 300	.48 (12.2)	.43 (11)	1.06 (27)	VSAI4	10160
4			.65 (16.4)	.56 (14.2)	1.06 (27)	VSAI8	10162
6			.75 (19)	.69 (17.4)	1.06 (27)	VSAI12	10157
11			.92 (23.3)	.86 (21.8)	.89 (22.5)	VSAI22	10159
15			1.30 (32.9)	1.23 (31.2)	1.06 (27)	VSAI48	10161



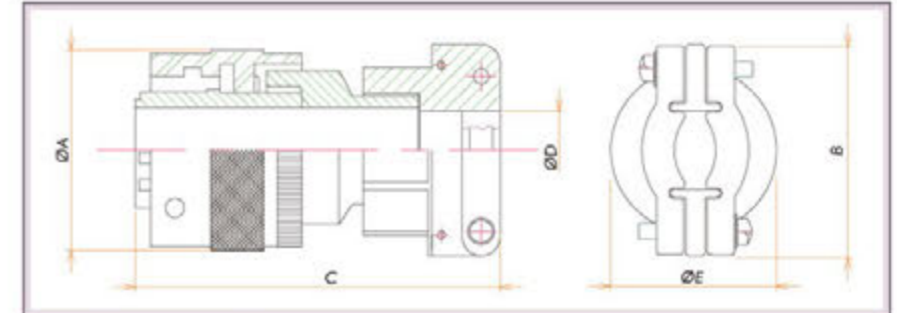
Air Side Plugs

Accessories for the BURNDY K type Thermocouple

Dimensions in inches (mm)



ASP22 [10009]



Features

Air side plugs are available that connect to BURNDY Thermocouple series.
Please select the most suitable products for your application.

No. of Pairs	Materials	Temperature Range:°C	A	B	C	D	E	REFERENCE	PART NUMBER
2	Shell : Aluminum Alloy Insulation : Glass fiber filled Polycarbonate (UL94V-1/Black)	-55 to 125	.84 (21.4)	.87 (22.2)	1.93 (49)	.31 (7.8)	.81 (20.7)	ASP4	10013
4			.97 (24.7)	1.06 (27)	2.01 (51)	.44 (11.2)	.97 (24.7)	ASP8	10016
6			1.09 (27.7)	1.16 (29.4)	2.05 (52)	.58 (14.7)	1.03 (26.2)	ASP12	10005
11			1.34 (34.1)	1.47 (37.3)	2.05 (52)	.77 (19.6)	1.31 (33.3)	ASP22	10009
15			1.48 (37.5)	1.47 (37.3)	2.24 (57)	.77 (19.6)	1.31 (33.3)	ASP30	10011
24			1.73 (44)	1.69 (42.9)	2.32 (59)	.87 (22)	1.67 (42.3)	ASP48	10014

Chromel® and Alumel® Socket Contacts

Accessories for the BURNDY K type Thermocouple

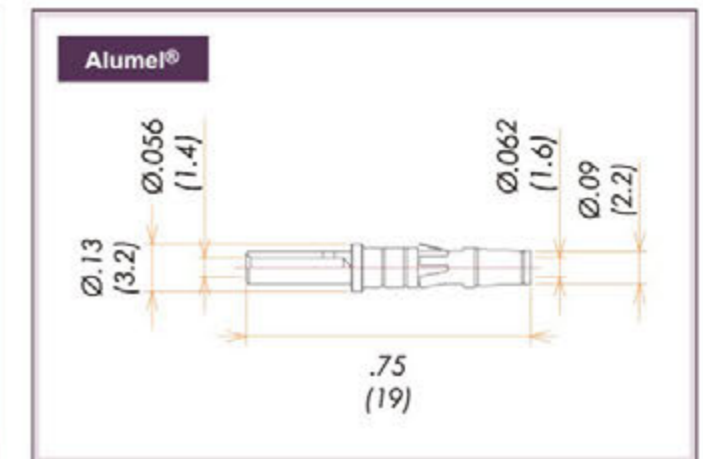
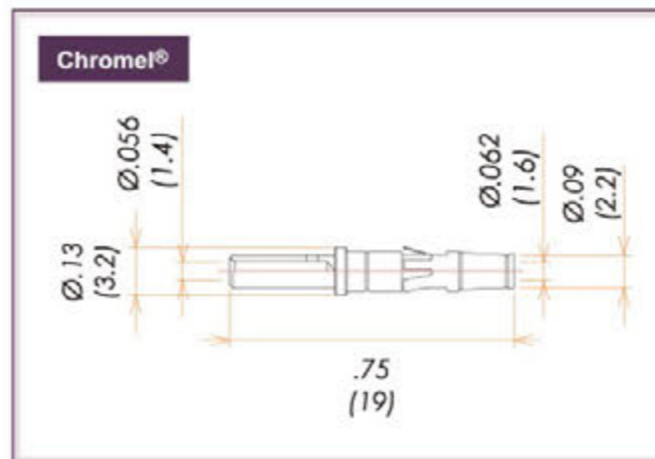


SVC16CH [11817] SVC16AL [11818]

Features

Socket contacts are available that connect to pins by crimping in air and vacuum side.
Please select the most suitable products for your application.

Materials	Temperature Range:°C	Current: A max.	Accept Wire	REFERENCE	PART NUMBER
Chromel®	-196 to 300	Milli-Amps	.05 MAX. (1.3)	SVC16CH	11817
Alumel®				SVC16AL	11818

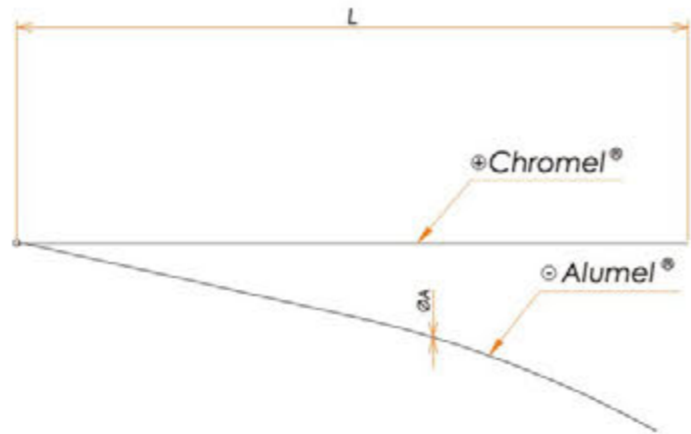




Dimensions in inches (mm)

Vacuum Side Thermocouple Wires

Accessories for the BURNDY K type Thermocouple



Features

Bare Thermocouple wires are available that connect to vacuum side. Specifications depend on circumstances such as diameter and length of wires. Please select the most suitable products for your application.

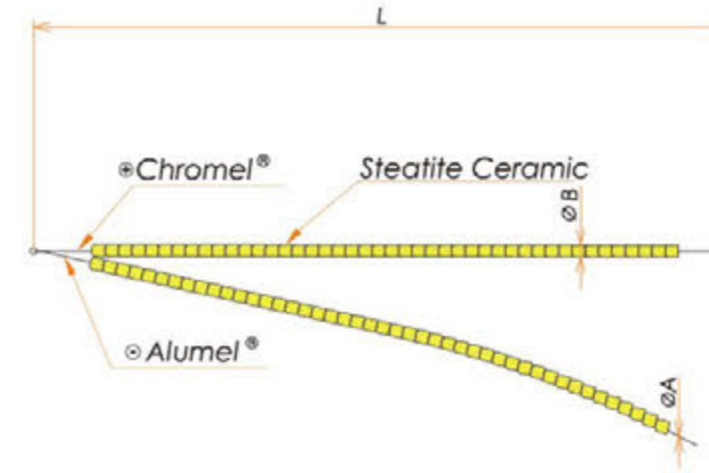
Materials	Temperature Range:°C	A	L	REFERENCE	PART NUMBER
Chromel®, Alumel®	-200 to 400	.01 (0.32)	19" (500)	TCKW032L500B	12154
			39" (1,000)	TCKW032L1000B	12155
			78" (2,000)	TCKW032L2000B	12156
			118" (3,000)	TCKW032L3000B	12157
			196" (5,000)	TCKW032L5000B	12158
	-200 to 650	.03 (0.65)	19" (500)	TCKW065L500B	12180
			39" (1,000)	TCKW065L1000B	12182
			78" (2,000)	TCKW065L2000B	12184
			118" (3,000)	TCKW065L3000B	12186
			196" (5,000)	TCKW065L5000B	12187



Dimensions in inches (mm)

Vacuum Side Thermocouple Wires
Covered with Ceramic Beads

Accessories for the BURNDY K type Thermocouple



Features

Thermocouple wires covered with ceramic beads are available that connect to vacuum side for sure insulation purpose. Specifications depend on circumstances such as diameter and length of wires. Please select the most suitable products for your application.

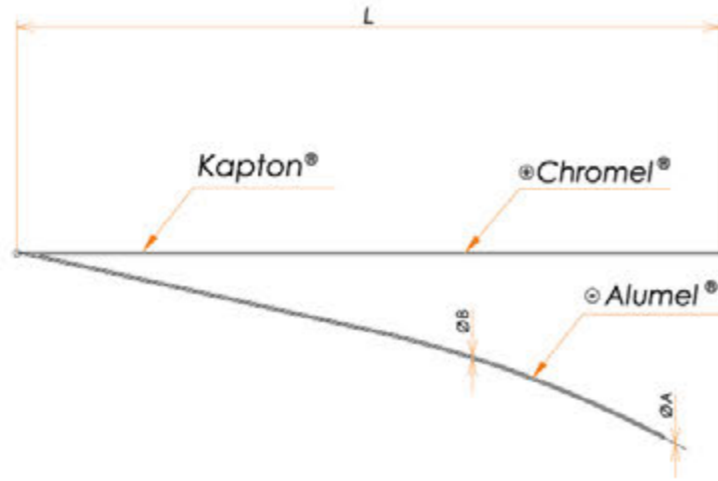
Materials	Temperature Range:°C	A	B	L	REFERENCE	PART NUMBER
Thermocouple Wires : Chromel®, Alumel® Ceramic Beads : Steatite Ceramic	-200 to 400	.01 (0.32)	.13 (3.2)	19" (500)	TCKW032L500A	12170
				39" (1,000)	TCKW032L1000A	12172
				78" (2,000)	TCKW032L2000A	12174
				118" (3,000)	TCKW032L3000A	12176
				196" (5,000)	TCKW032L5000A	12178
	-200 to 650	.03 (0.65)	.13 (3.2)	19" (500)	TCKW065L500A	12193
				39" (1,000)	TCKW065L1000A	12194
				78" (2,000)	TCKW065L2000A	12195
				118" (3,000)	TCKW065L3000A	12196
				196" (5,000)	TCKW065L5000A	12197



Dimensions in inches (mm)

Vacuum Side Thermocouple Wires Covered with Kapton® Tubes

Accessories for the BURNDY K type Thermocouple



Features

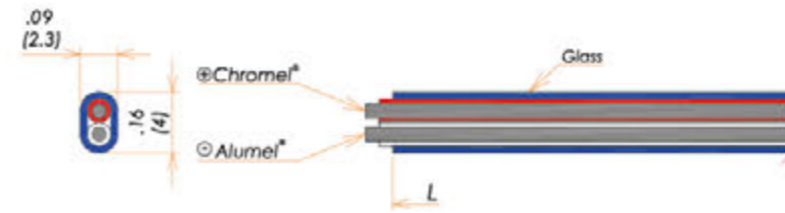
Thermocouple wires covered with Kapton® tubes are available that connect to vacuum side for sure insulation purpose. Specifications depend on circumstances such as diameter and length of wires. Please select the most suitable products for your application.

Materials	Temperature Range: °C	A	B	L	REFERENCE	PART NUMBER
Thermocouple Wires : Chromel®, Alumel® Insulation : Kapton®	-75 to 250	.01 (0.32)	.02 (0.5)	19" (500)	TCKW032L500K	12160
				39" (1,000)	TCKW032L1000K	12162
				78" (2,000)	TCKW032L2000K	12164
				118" (3,000)	TCKW032L3000K	12166
				196" (5,000)	TCKW032L5000K	12168
		.03 (0.65)	.03 (0.8)	19" (500)	TCKW065L500K	12188
				39" (1,000)	TCKW065L1000K	12189
				78" (2,000)	TCKW065L2000K	12190
				118" (3,000)	TCKW065L3000K	12191
				196" (5,000)	TCKW065L5000K	12192

Dimensions in inches (mm)

Air Side Glass Insulated Wires

Accessories for the BURNDY K type Thermocouple



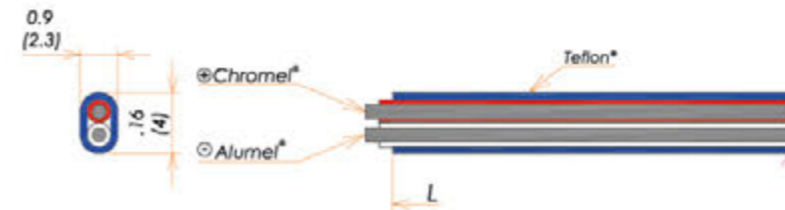
Features

Compensation conducting with glass insulated wires are available that connect to air side. Specifications depend on circumstances such as length of wires. Please select the most suitable products for your application.

Materials	Temperature Range: °C	L	REFERENCE	PART NUMBER
Thermocouple Wires : Chromel®, Alumel® Insulation : Glass	0 to 200	19" (500)	CCWKL500GST	12198
		39" (1,000)	CCWKL1000GST	12199
		78" (2,000)	CCWKL2000GST	12200
		118" (3,000)	CCWKL3000GST	12201
		196" (5,000)	CCWKL5000GST	12202

Air Side Teflon® Insulated Wires

Accessories for the BURNDY K type Thermocouple



Features

Compensation conducting with Teflon® insulated wires are available that connect to air side. Specifications depend on circumstances such as length of wires. Please select the most suitable products for your application.

Materials	Temperature Range: °C	L	REFERENCE	PART NUMBER
Thermocouple Wires : Chromel®, Alumel® Insulation : Teflon®	-196 to 200	19" (500)	CCWKL500TST	12213
		39" (1,000)	CCWKL1000TST	12214
		78" (2,000)	CCWKL2000TST	12215
		118" (3,000)	CCWKL3000TST	12216
		196" (5,000)	CCWKL5000TST	12217

Dimensions in inches (mm)

Ceramic Beads

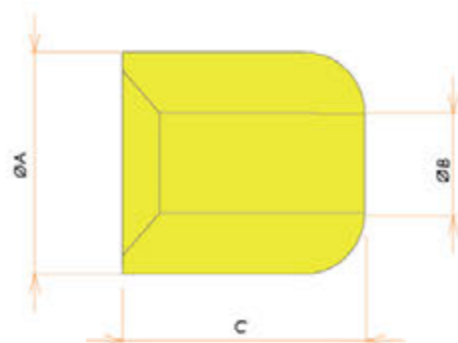
Accessories for the BURNDY K type Thermocouple



Features

Ceramic Beads are available that connect to vacuum side. Specifications depend on circumstances such as diameter and length of wires. Please select the most suitable products for your application.

Materials	Temperature Range:°C	A	B	C	REFERENCE	PART NUMBER
Steatite Ceramic	-196 to 1,000	.13 (3.2)	.06 (1.4)	.13 (3.2)	CB3214	12275
		.17 (4.2)	.07 (1.7)	.17 (4.2)	CB4217	12276
		.2 (5.1)	.09 (2.3)	.2 (5.1)	CB5123	12277
		.26 (6.7)	.11 (2.9)	.26 (6.7)	CB6729	12278
		.32 (8.2)	.14 (3.6)	.32 (8.2)	CB8236	12279



Dimensions in inches (mm)

Removal Tools

Accessories for the BURNDY K type Thermocouple



Features

Removal Tool is available for Multipin series that remove the socket contacts out from insulators.*

This tool ensures that the contact locking louvers are fully retracted.

*Insulators of BURNDY and MIL-C-5015 series.

REFERENCE	PART NUMBER
PT16	10138

Crimp Tool

Accessories for the BURNDY K type Thermocouple



Features

Crimp Tool is available that crimp the wire (AWG #13 to #23) with socket contacts.

This 4-indent crimp tool features a micrometer type adjusting knob providing continuously variable adjustments for precise crimp depths. Can be adjusted and set at crimp depths ranging from .025 to .075 inches allowing settings to be within .001 inch.

AWG #	REFERENCE	PART NUMBER
23 to 13	CT2313	10052

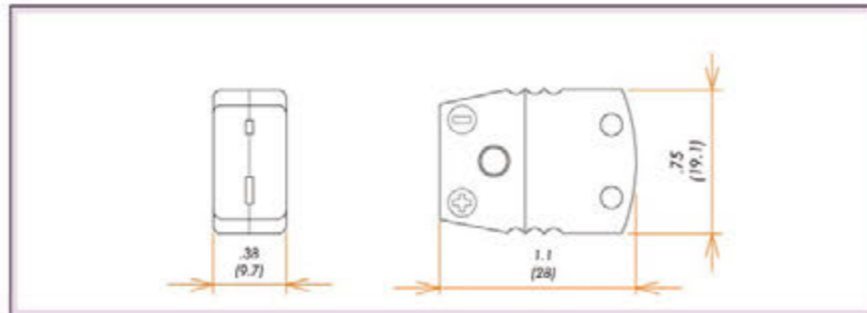
Dimensions in inches (mm)

Air Side Plugs

Accessories for the Miniature K type Thermocouple



ASP-TCK1 [60187]



Features

Air side plug is available that connect to OMEGA® miniature thermocouple type connector.

Materials	REFERENCE	PART NUMBER
Glass Filled Nylon	ASP-TCK1	60187

Vacuum Side Screw and Nut

Accessories for the Miniature K type Thermocouple

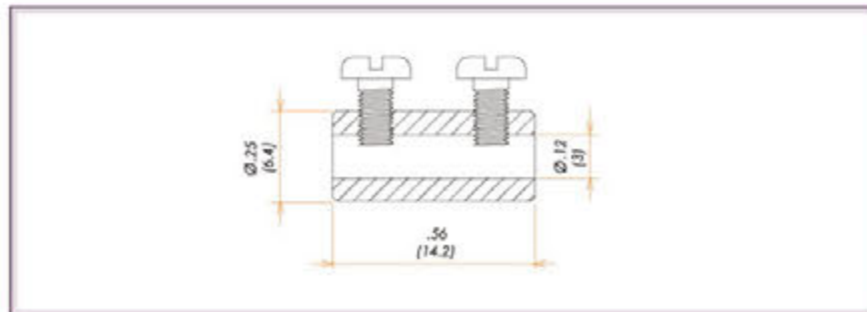
REFERENCE	PART NUMBER
VSSN	12314

Vacuum Side Barrel Type Socket Contacts

Accessories for the Miniature K type Thermocouple



SVC30 [10153]



Features

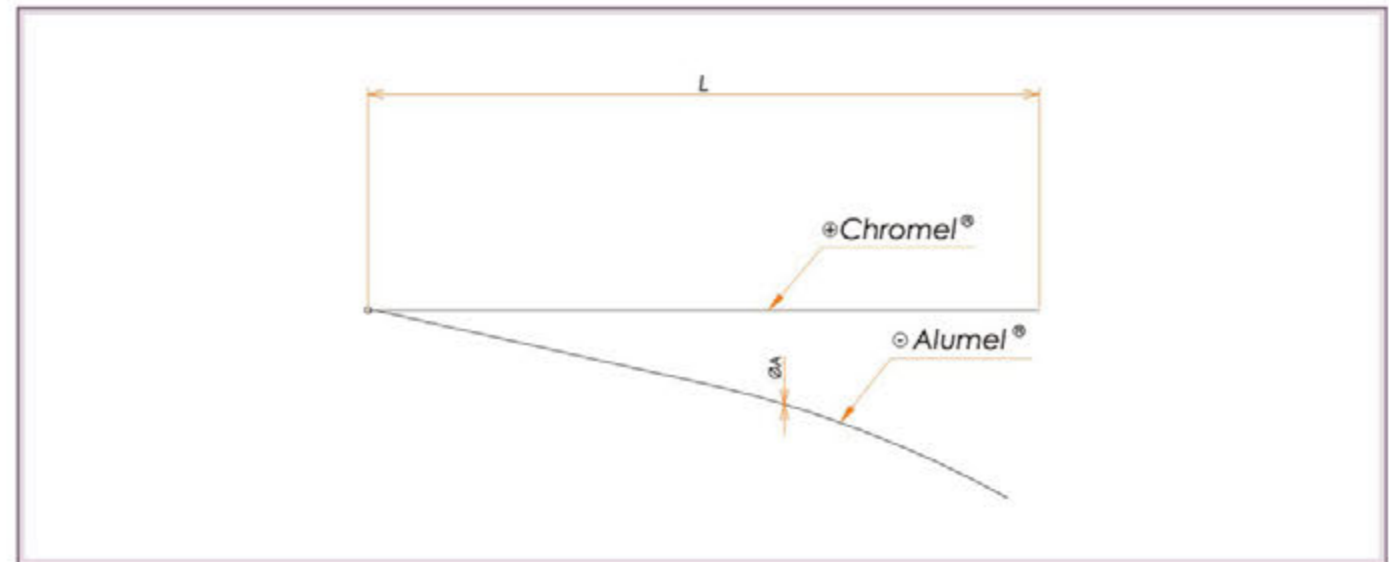
Socket contacts are offered in package of 10 that connect to both vacuum side and air side in Barrel type. Specifications depend on circumstances such as diameter of conductors and current amps. Please select the most suitable products for your application.

Materials	Temperature Range: °C	REFERENCE	PART NUMBER
Beryllium-Copper and Gold-Plated	-196 to 300	SVC30	10153

Dimensions in inches (mm)

Vacuum Side Bare Thermocouple Wires

Accessories for the Miniature K type Thermocouple



Features

Bare Thermocouple wires are available that connect to vacuum side. Specifications depend on circumstances such as diameter and length of wires. Please select the most suitable products for your application.

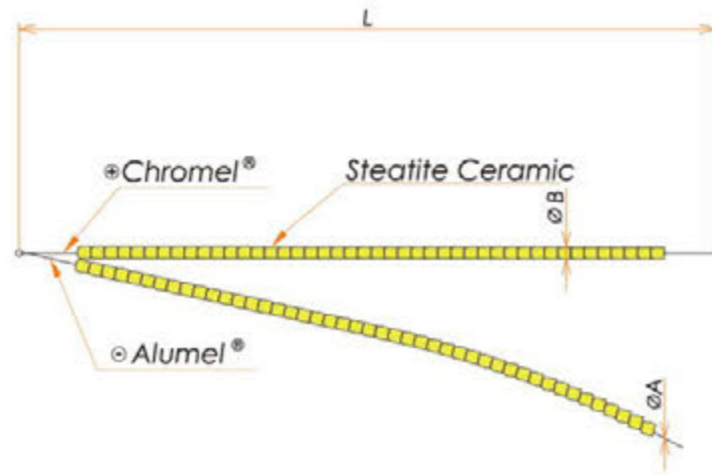
Materials	Temperature Range: °C	A	L	REFERENCE	PART NUMBER
Chromel®, Alumel®	-200 to 400	.01 (0.32)	19" (500)	TCKW032L500B	12154
			39" (1,000)	TCKW032L1000B	12155
			78" (2,000)	TCKW032L2000B	12156
			118" (3,000)	TCKW032L3000B	12157
			196" (5,000)	TCKW032L5000B	12158
	-200 to 650	.03 (0.65)	19" (500)	TCKW065L500B	12180
			39" (1,000)	TCKW065L1000B	12182
			78" (2,000)	TCKW065L2000B	12184
			118" (3,000)	TCKW065L3000B	12186
			196" (5,000)	TCKW065L5000B	12187



Dimensions in inches (mm)

Vacuum Side Thermocouple Wires Covered with Ceramic Beads

Accessories for the Miniature K type Thermocouple



Features

Thermocouple wires covered with ceramic beads are available that connect to vacuum side for sure insulation purpose. Specifications depend on circumstances such as diameter and length of wires. Please select the most suitable products for your application.

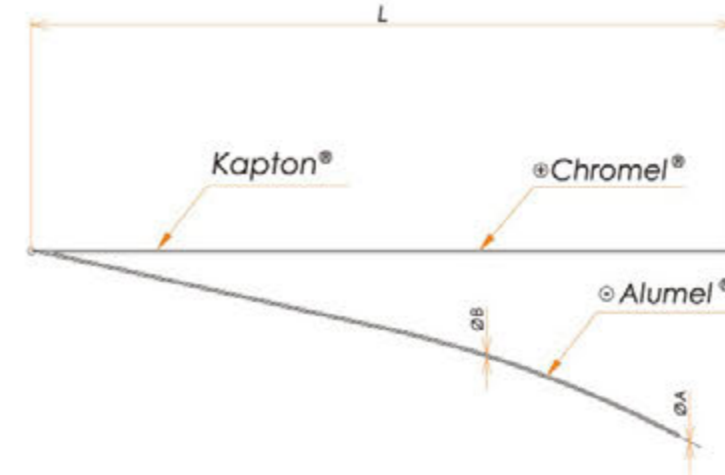
Materials	Temperature Range:°C	A	B	L	REFERENCE	PART NUMBER
Thermocouple Wires : Chromel®, Alumel® Ceramic Beads : Steatite Ceramic	-200 to 400	.01 (0.32)	.13 (3.2)	19" (500)	TCKW032L500A	12170
				39" (1,000)	TCKW032L1000A	12172
				78" (2,000)	TCKW032L2000A	12174
				118" (3,000)	TCKW032L3000A	12176
				196" (5,000)	TCKW032L5000A	12178
	-200 to 650	.03 (0.65)	.13 (3.2)	19" (500)	TCKW065L500A	12193
				39" (1,000)	TCKW065L1000A	12194
				78" (2,000)	TCKW065L2000A	12195
				118" (3,000)	TCKW065L3000A	12196
				196" (5,000)	TCKW065L5000A	12197



Dimensions in inches (mm)

Vacuum Side Thermocouple Wires Covered with Kapton® Tubes

Accessories for the Miniature K type Thermocouple



Features

Thermocouple wires covered with Kapton® tubes are available that connect to vacuum side for sure insulation purpose. Specifications depend on circumstances such as diameter and length of wires. Please select the most suitable products for your application.

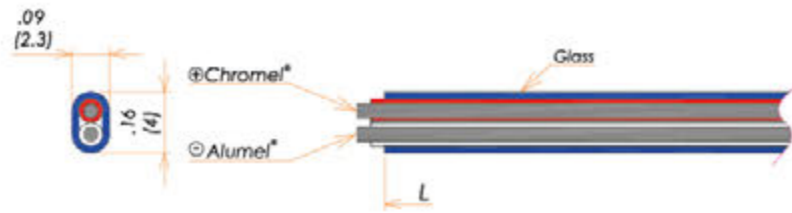
Materials	Temperature Range:°C	A	B	L	REFERENCE	PART NUMBER
Thermocouple Wires : Chromel®, Alumel® Insulation : Kapton®	-75 to 250	.01 (0.32)	.02 (0.5)	19" (500)	TCKW032L500K	12160
				39" (1,000)	TCKW032L1000K	12162
				78" (2,000)	TCKW032L2000K	12164
				118" (3,000)	TCKW032L3000K	12166
				196" (5,000)	TCKW032L5000K	12168
	-75 to 250	.03 (0.65)	.03 (0.8)	19" (500)	TCKW065L500K	12188
				39" (1,000)	TCKW065L1000K	12189
				78" (2,000)	TCKW065L2000K	12190
				118" (3,000)	TCKW065L3000K	12191
				196" (5,000)	TCKW065L5000K	12192



Dimensions in inches (mm)

Air Side Glass Insulated Wires

Accessories for the Miniature K type Thermocouple



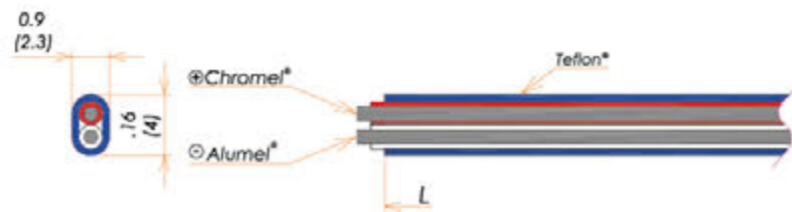
Features

Compensation conducting with glass insulated wires are available that connect to air side. Specifications depend on circumstances such as length of wires. Please select the most suitable products for your application.

Materials	Temperature Range: °C	L	REFERENCE	PART NUMBER
Thermocouple Wires : Chromel®, Alumel® Insulation : Glass	0 to 200	19" (500)	CCWKL500GST	12198
		39" (1,000)	CCWKL1000GST	12199
		78" (2,000)	CCWKL2000GST	12200
		118" (3,000)	CCWKL3000GST	12201
		196" (5,000)	CCWKL5000GST	12202

Air Side Teflon® Insulated Wires

Accessories for the Miniature K type Thermocouple



Features

Compensation conducting with Teflon® insulated wires are available that connect to air side. Specifications depend on circumstances such as length of wires. Please select the most suitable products for your application.

Materials	Temperature Range: °C	L	REFERENCE	PART NUMBER
Thermocouple Wires : Chromel®, Alumel® Insulation : Teflon®	-196 to 200	19" (500)	CCWKL500TST	12213
		39" (1,000)	CCWKL1000TST	12214
		78" (2,000)	CCWKL2000TST	12215
		118" (3,000)	CCWKL3000TST	12216
		196" (5,000)	CCWKL5000TST	12217



Dimensions in inches (mm)

Ceramic Beads

Accessories for the Miniature K type Thermocouple

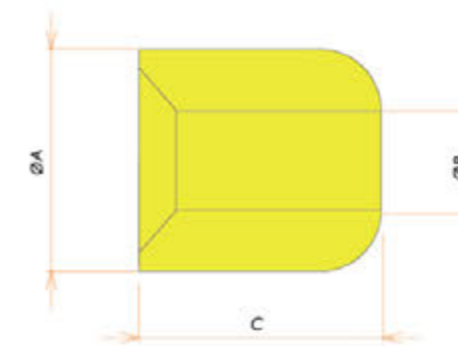


CB8236 [12279]

Features

Ceramic Beads are available that connect to vacuum side. Specifications depend on circumstances such as diameter and length of wires. Please select the most suitable products for your application.

Materials	Temperature Range: °C	A	B	C	REFERENCE	PART NUMBER
Steatite Ceramic	-196 to 1,000	.13 (3.2)	.06 (1.4)	.13 (3.2)	CB3214	12275
		.17 (4.2)	.07 (1.7)	.17 (4.2)	CB4217	12276
		.2 (5.1)	.09 (2.3)	.2 (5.1)	CB5123	12277
		.26 (6.7)	.11 (2.9)	.26 (6.7)	CB6729	12278
		.32 (8.2)	.14 (3.6)	.32 (8.2)	CB8236	12279



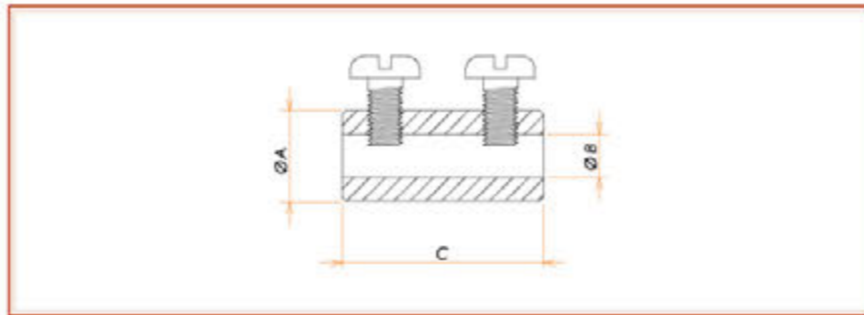
Vacuum Side Barrel Type Socket Contacts

Accessories for High Voltage and High Current

Dimensions in inches (mm)



SVC64 [10155]



Features

Socket contacts are offered in package of 10 that connect to both vacuum side and air side in Barrel type. Specifications depend on circumstances such as diameter of conductors and current amps. Please select the most suitable products for your application.

Materials	Temperature Range : °C	Current : A max.	A	B	C	REFERENCE	PART NUMBER
Beryllium-Copper and Gold-Plated	-196 to 300	15	.19 (4.8)	.06 MAX. (1.5)	.50 (12.7)	SVC15	10146
		20	.19 (4.8)	.07 MAX. (1.8)	.50 (12.7)	SVC18	10150
		25	.25 (6.4)	.12 MAX. (3)	.56 (14.2)	SVC24	10151
			.25 (6.4)	.12 MAX. (3)	.56 (14.2)	SVC30	10153
		30	.25 (6.4)	.13 MAX. (3.4)	.63 (16)	SVC34	10154
100	.50 (12.7)	.26 MAX. (6.6)	1.00 (25.4)	SVC64	10155		

Ceramic Beads

Accessories for High Voltage and High Current

Features

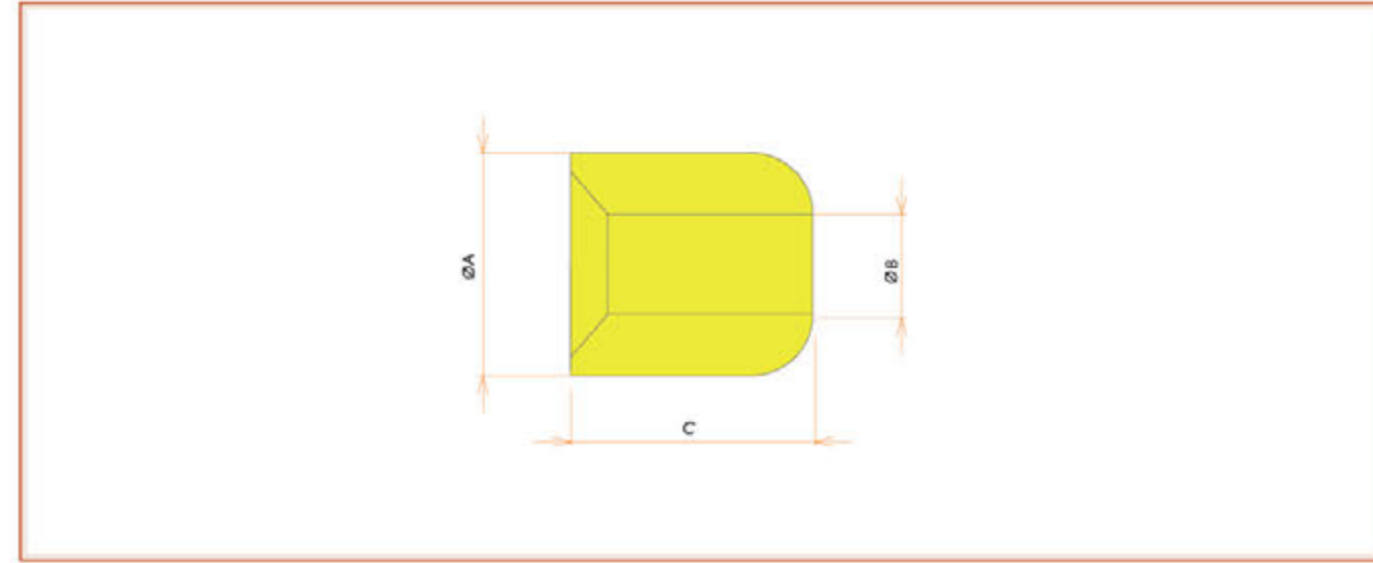
Ceramic Beads are available that connect to vacuum side. Specifications depend on circumstances such as diameter and length of wires. Please select the most suitable products for your application.



CB8236 [12279]

Materials	Temperature Range: °C	A	B	C	REFERENCE	PART NUMBER
Steatite Ceramic	-196 to 1,000	.13 (3.2)	.06 (1.4)	.13 (3.2)	CB3214	12275
		.17 (4.2)	.07 (1.7)	.17 (4.2)	CB4217	12276
		.2 (5.1)	.09 (2.3)	.2 (5.1)	CB5123	12277
		.26 (6.7)	.11 (2.9)	.26 (6.7)	CB6729	12278
		.32 (8.2)	.14 (3.6)	.32 (8.2)	CB8236	12279

Dimensions in inches (mm)



Air Side Cable Assemblies

Accessories for High Voltage and High Current

Features

Air Side Silicon Insulated Cable Assembly are available that connect to 3 kV 35 A and 5 kV 110 A feedthroughs. Please select the most suitable products for your application.



ASP5KV [60076]

Materials	Voltage: V max. DC	Current: A max.	Temperature Range: °C	REFERENCE	PART NUMBER
Insulation : Molded Silicon Contact : Beryllium-Copper and Silver-plated	3,000	35	-55 to 125	ASP3KV	60077
	5,000	110		ASP5KV	60076

ASP3KV

ASP5KV

